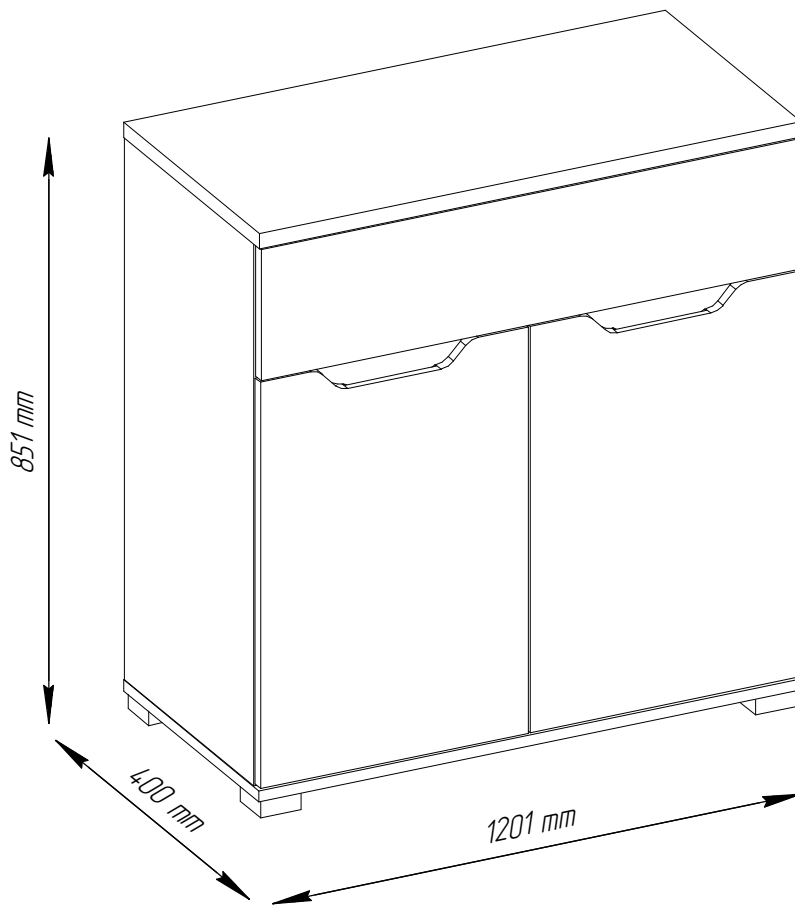
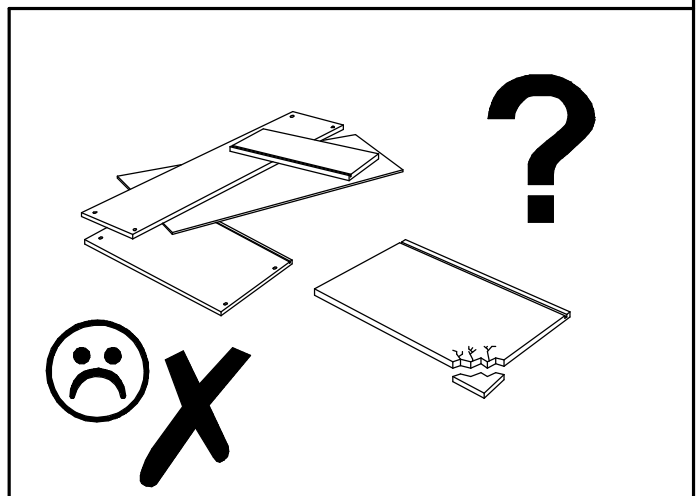
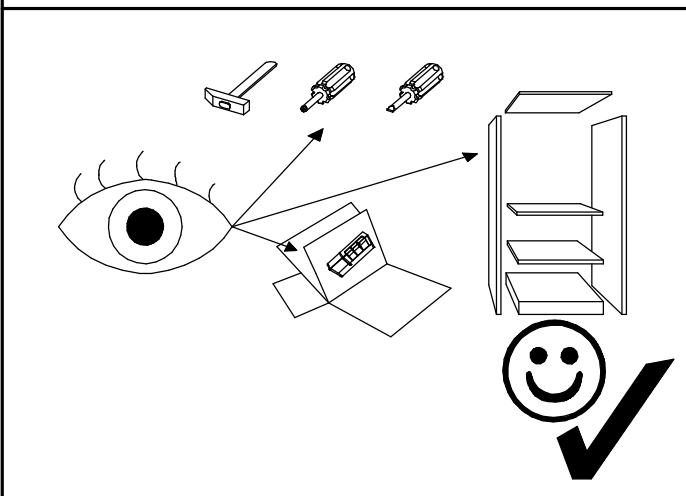
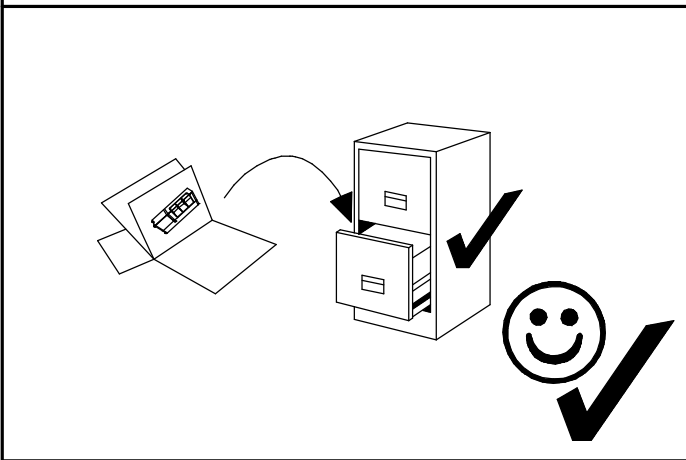
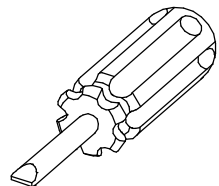
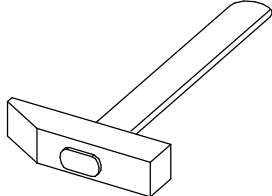
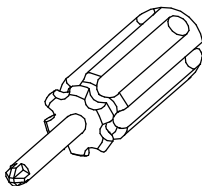
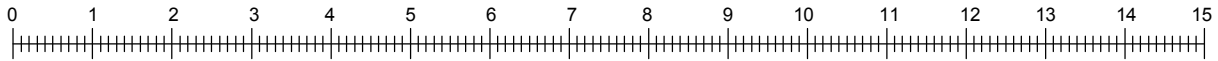
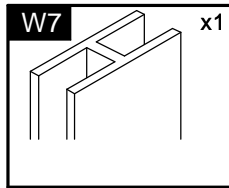
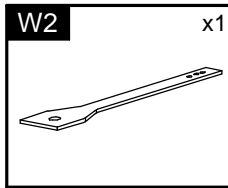
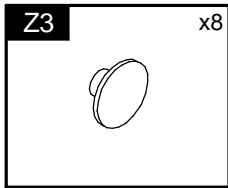
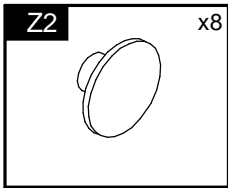
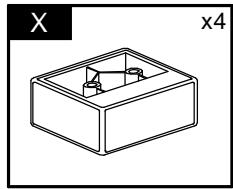
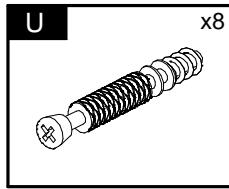
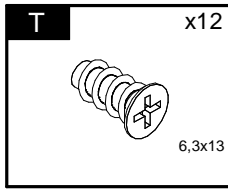
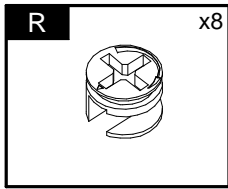
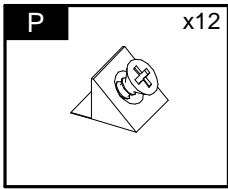
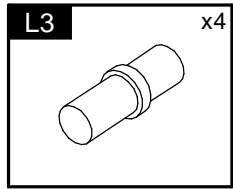
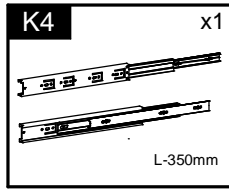
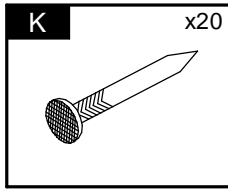
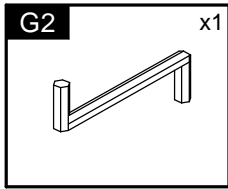
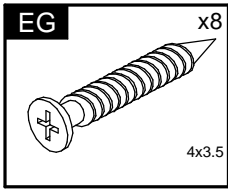
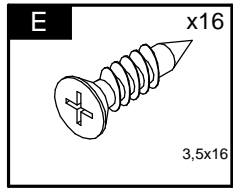
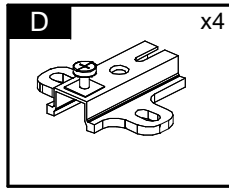
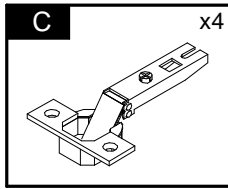
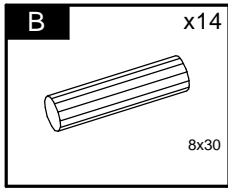
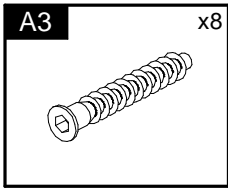


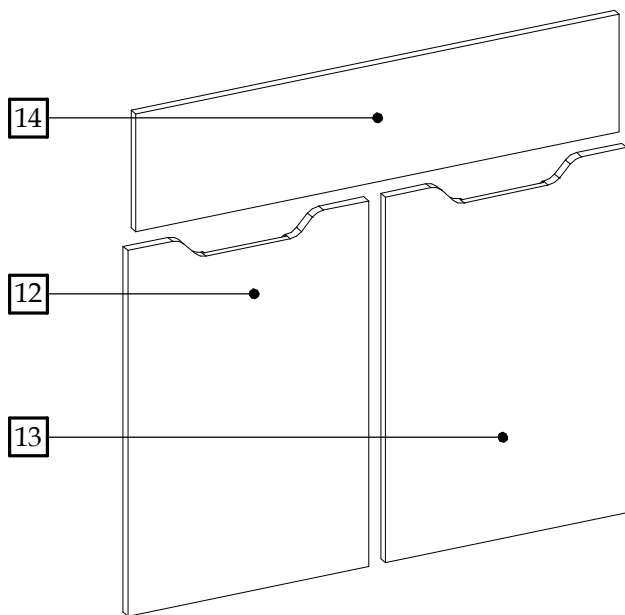
# VALLES

## Typ E

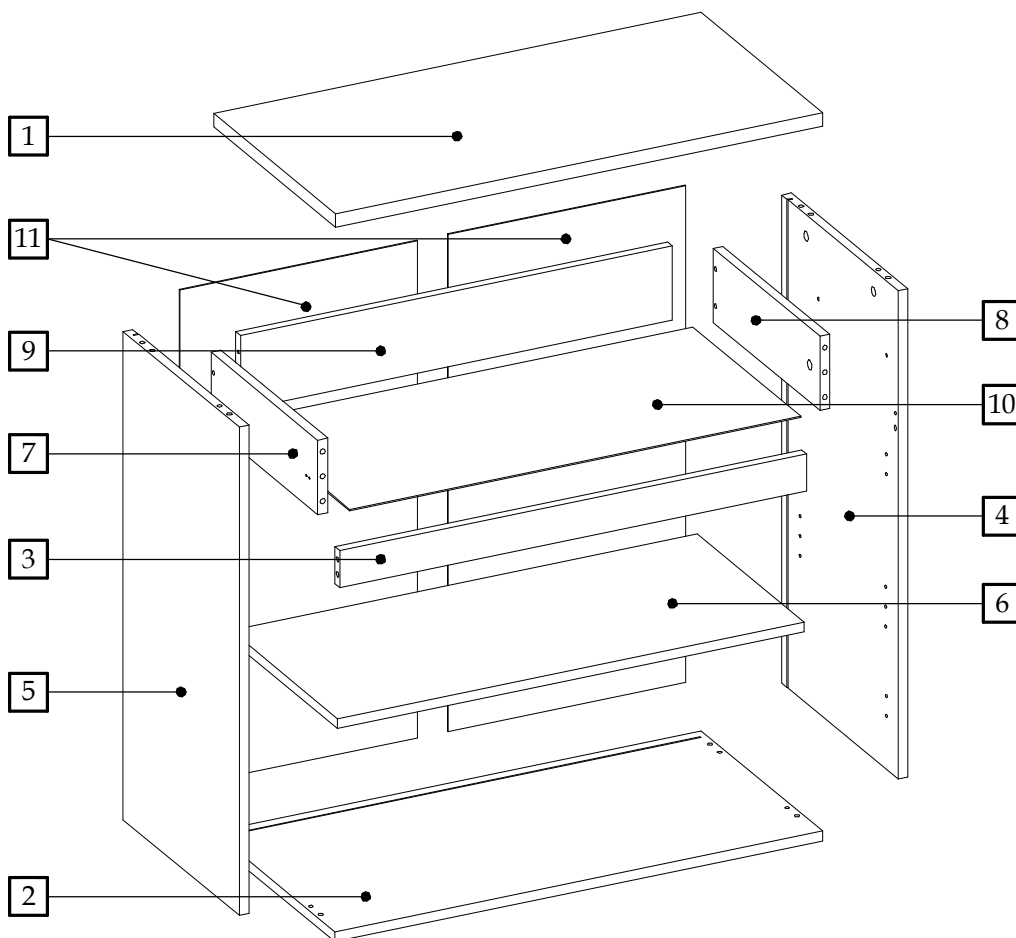






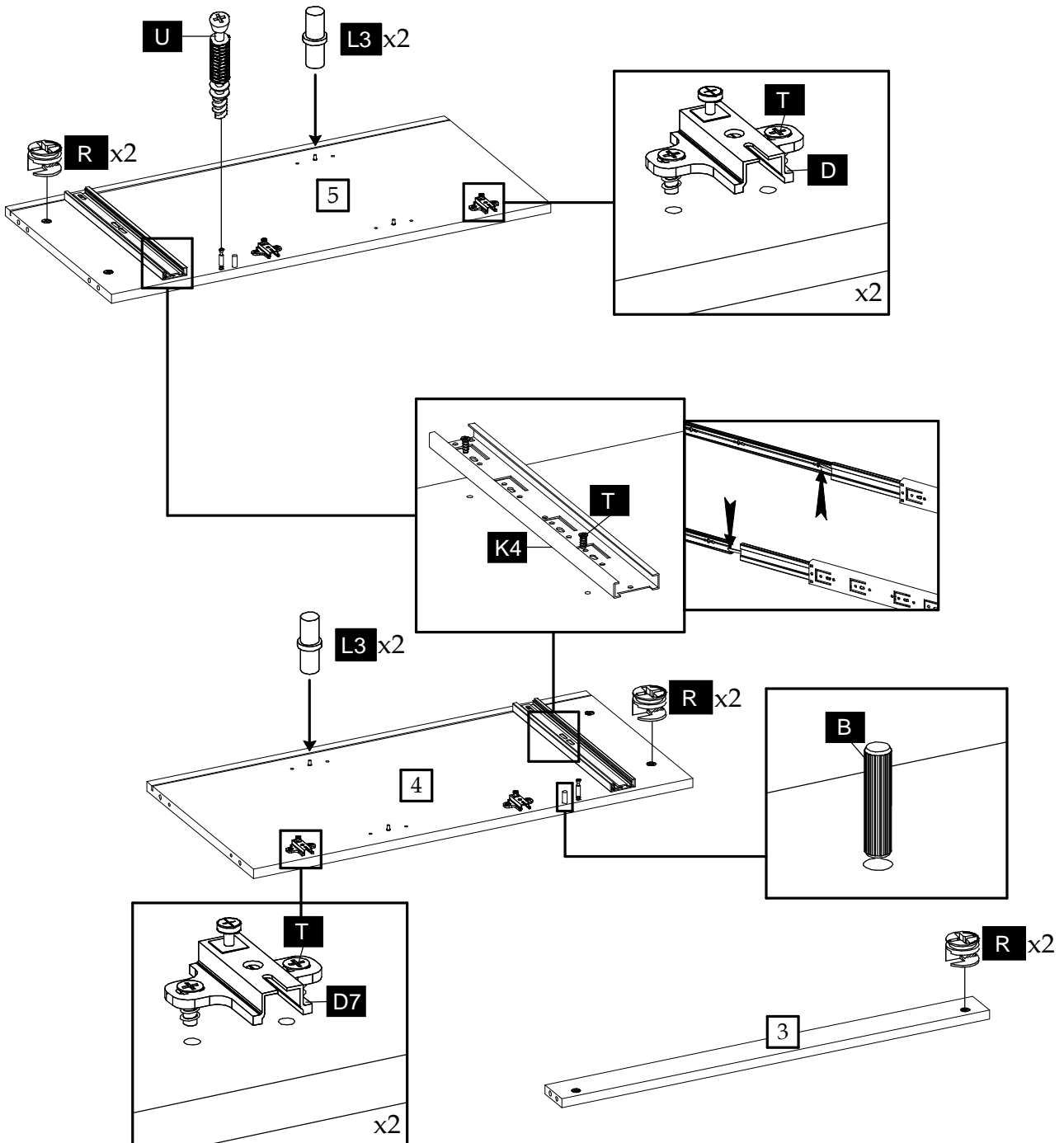


Element symbol	Measurements				Code	Paket
1	801	400	22	1	1004	1/2
2	801	398.5	16	1	1003	1/2
3	767	60	16	2	1014	1/2
4	788	381	16	1	1001	1/2
5	788	381	16	1	1002	1/2
6	767	351	16	1	N/A	1/2
7	350	120	16	1	1009	1/2
8	350	120	16	1	1011	1/2
9	709.5	120	16	1	1010	1/2
10	741	355	2.5	1	N/A	1/2
11	802	390	2.5	2	N/A	1/2
12	590	396	16	1	3015	2/2
13	590	396	16	1	3016	2/2
14	795	190	16	1	3008	1/2

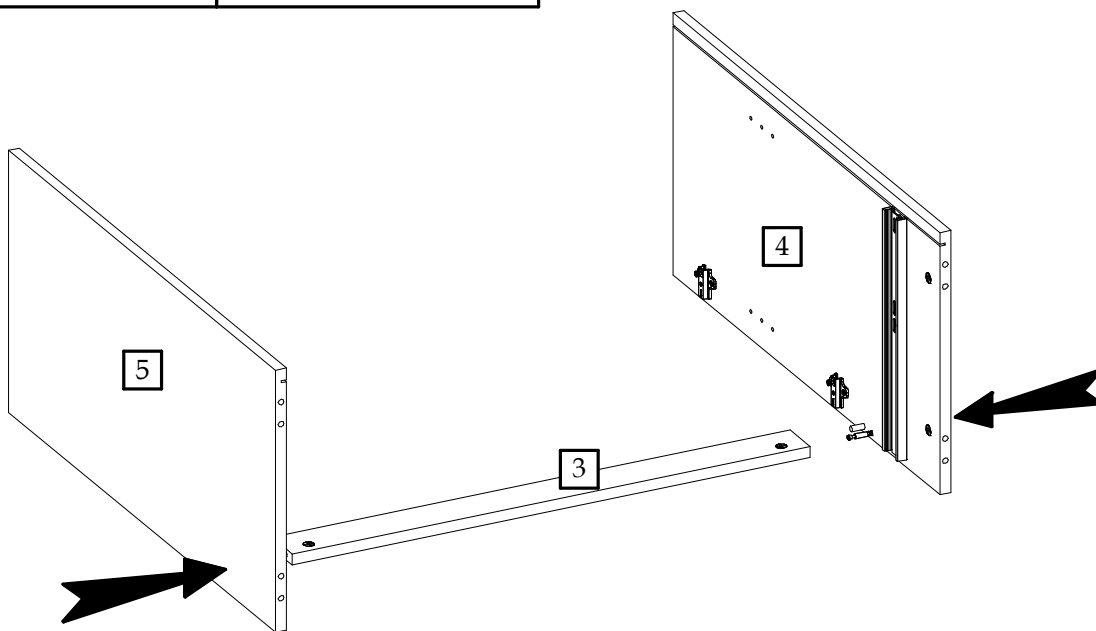
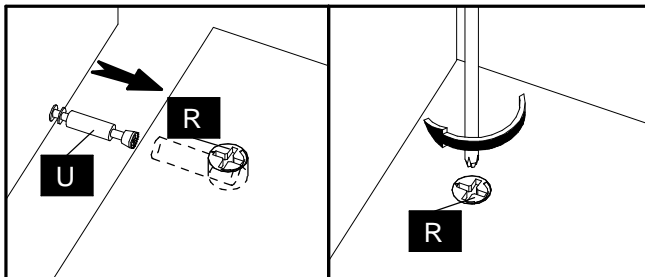




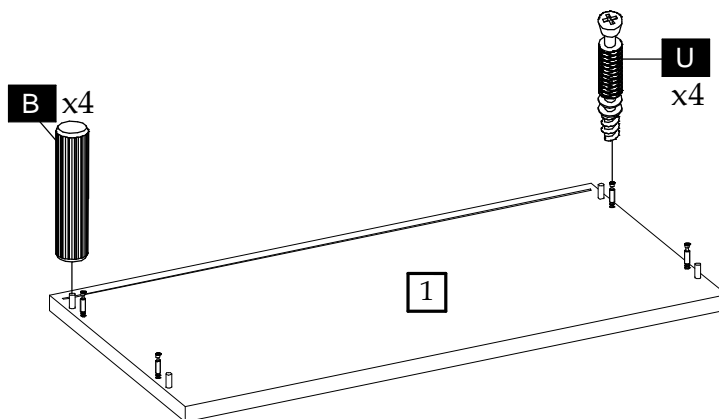
1



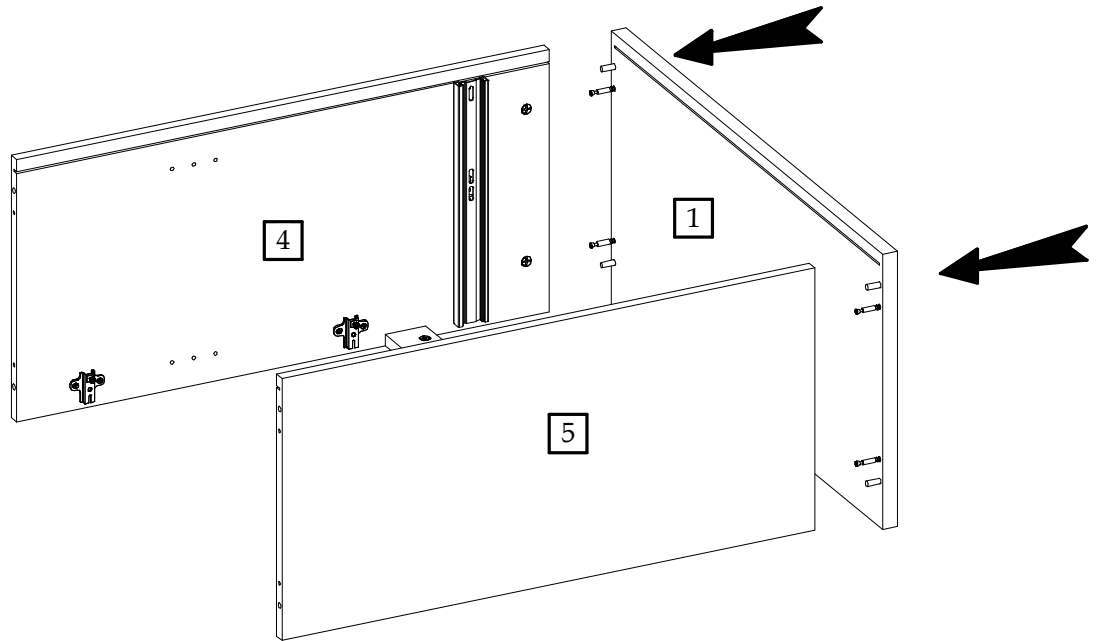
2



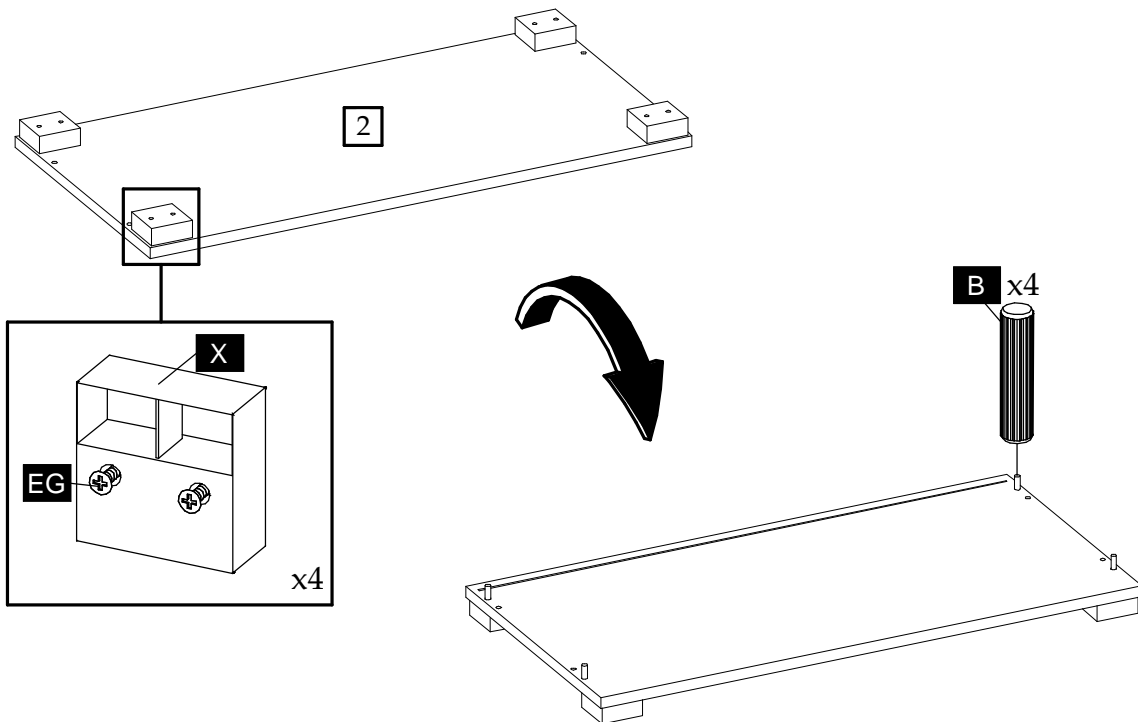
3



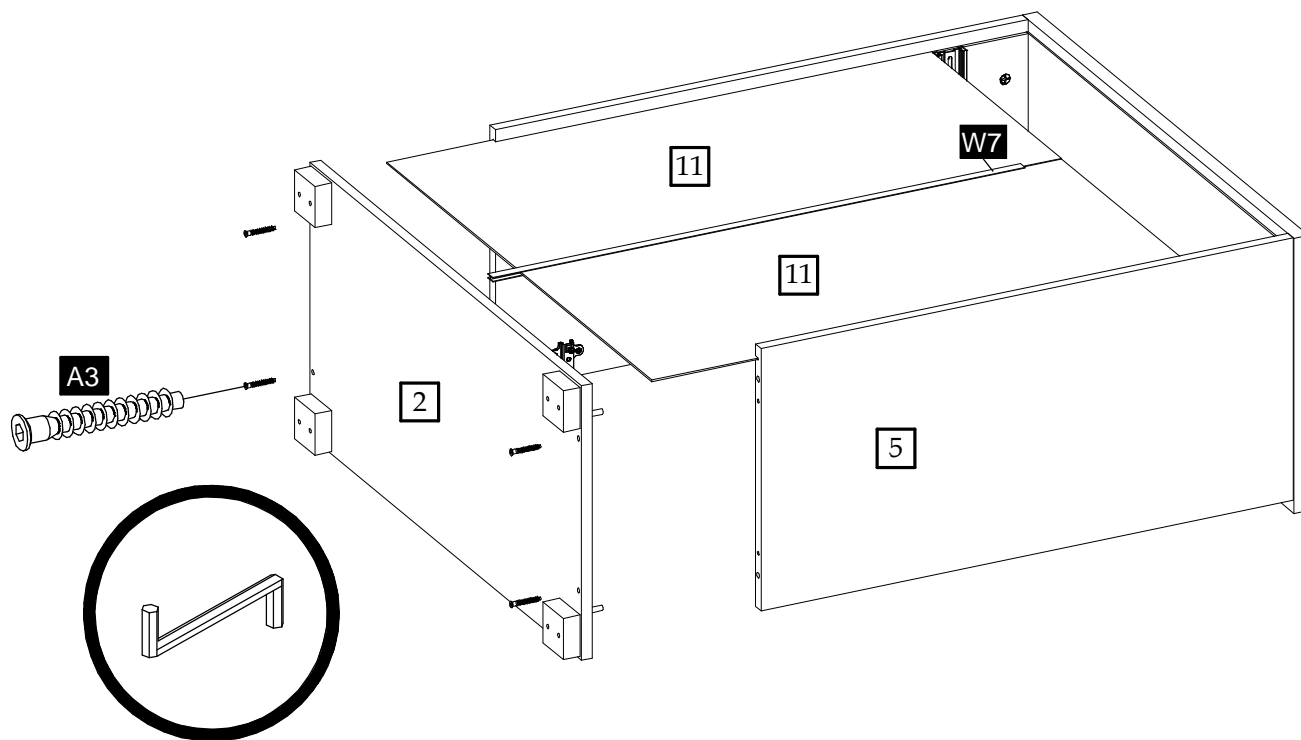
4



5



6



7

