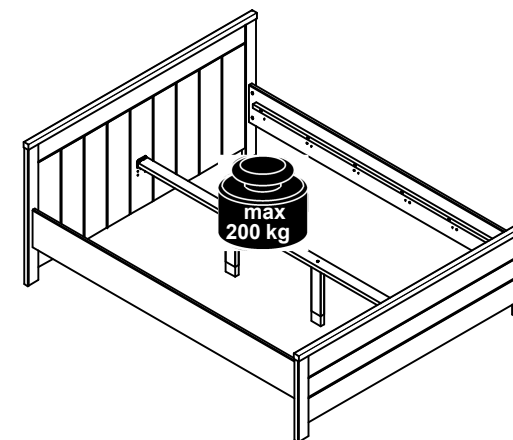
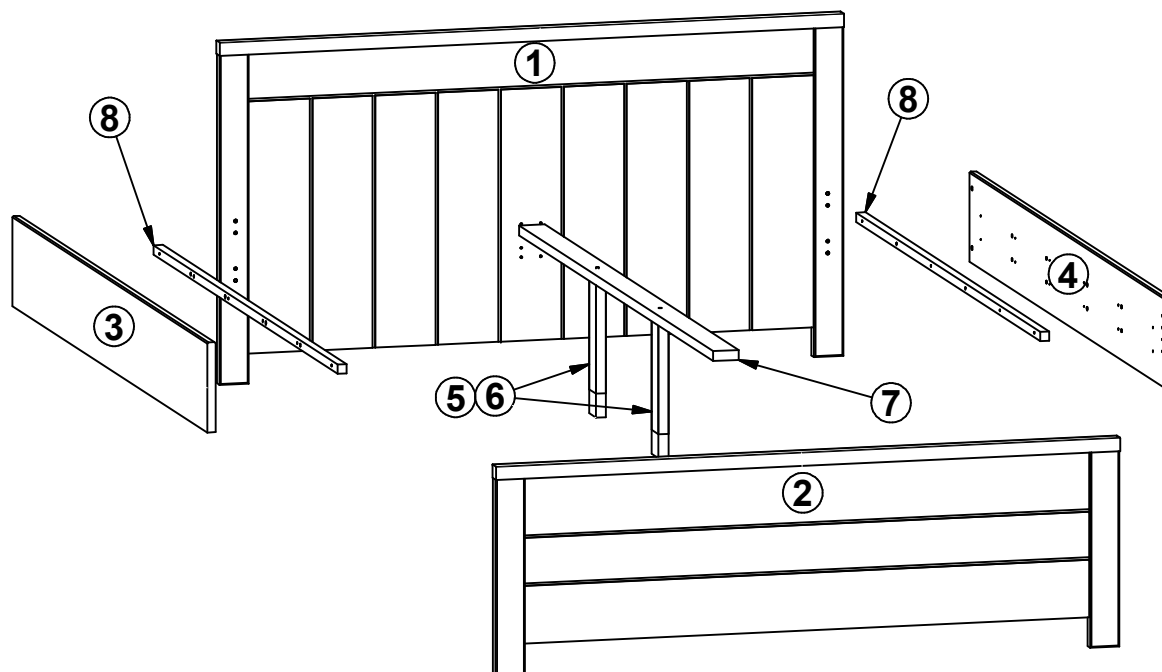


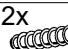







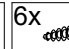
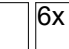

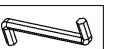
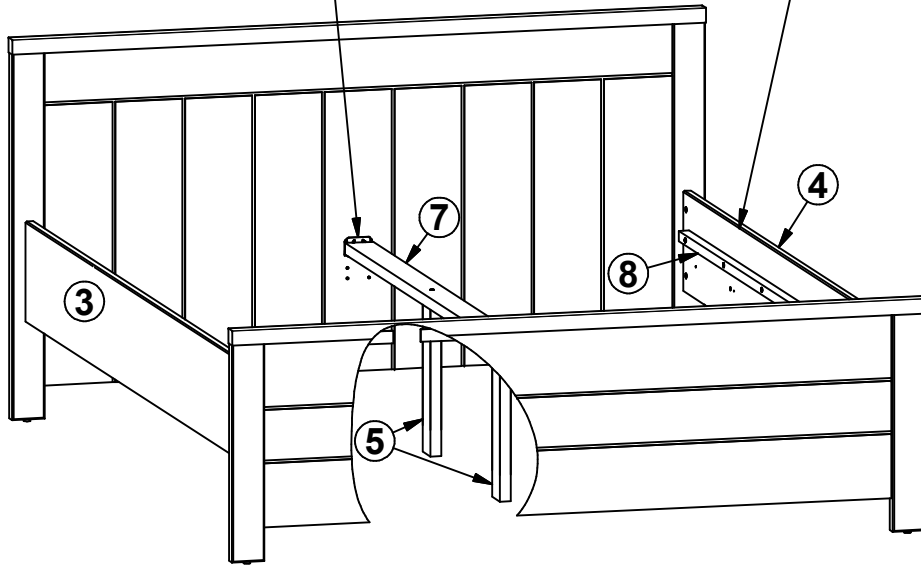
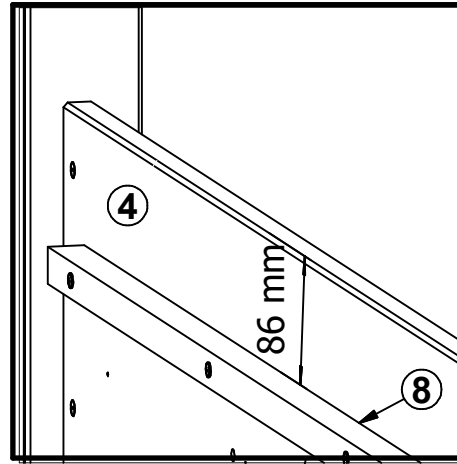
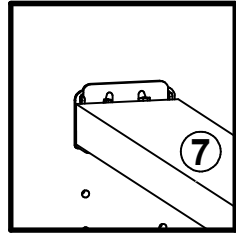


A	B	C (mm)		D
1	S378-0017	921	1710	1/3
2	S378-0018	562	1710	2/3
3	S378-1020	1993	242	3/3
4	S378-1021	1993	242	3/3
5	ZZ1-425	370	70	3/3
6	ZZ1-426	306	70	3/3
7	ZZ1-719	1983	70	3/3
8	ZZ1-747	1880	25	3/3

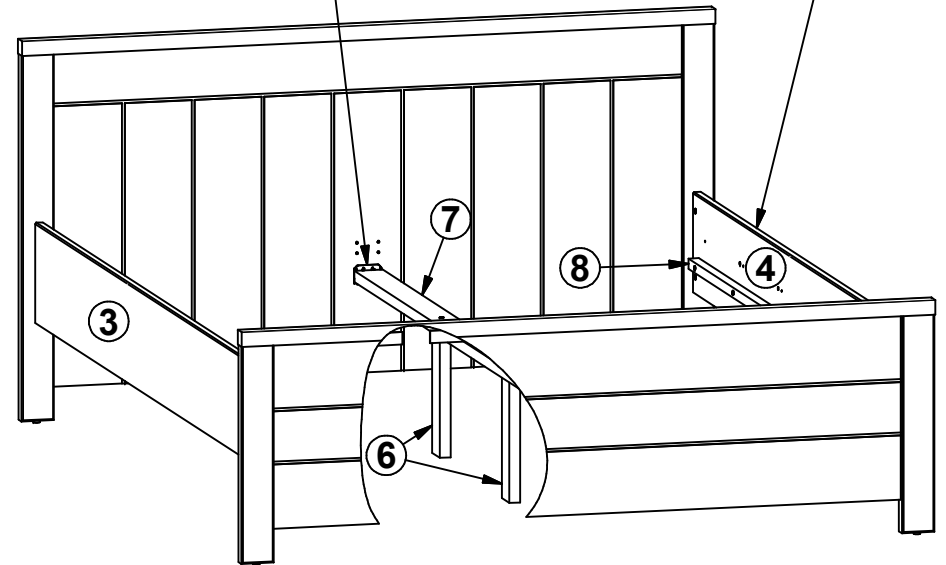
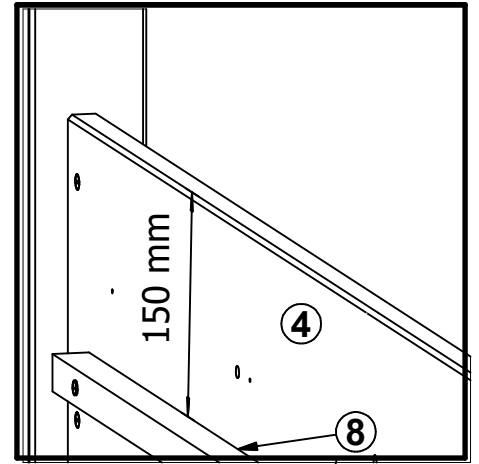
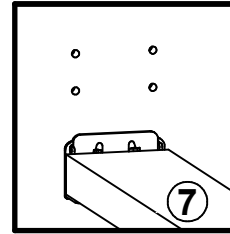


- 16x  **e2**
Ø6,3x13 mm
- 8x  **e3**
Ø6x13 mm
- 2x  **e8**
Ø7x60 mm
- 12x  **f1**
Ø8x30 mm
- 4x  **j132**
M6x65 mm
- 4x  **k1**
Ø7x6 mm
- 2x  **n34/1**
- 2x  **n34/2**
- 2x  **n63**
130x34x34/2 mm
- 12x  **p10**
Ø4x40 mm
- 6x  **p16**
Ø3,5x25 mm
- 6x  **p6**
Ø4x35 mm
- 4x  **r43**
Ø10x16 mm
- 1x  **z1**
4 mm

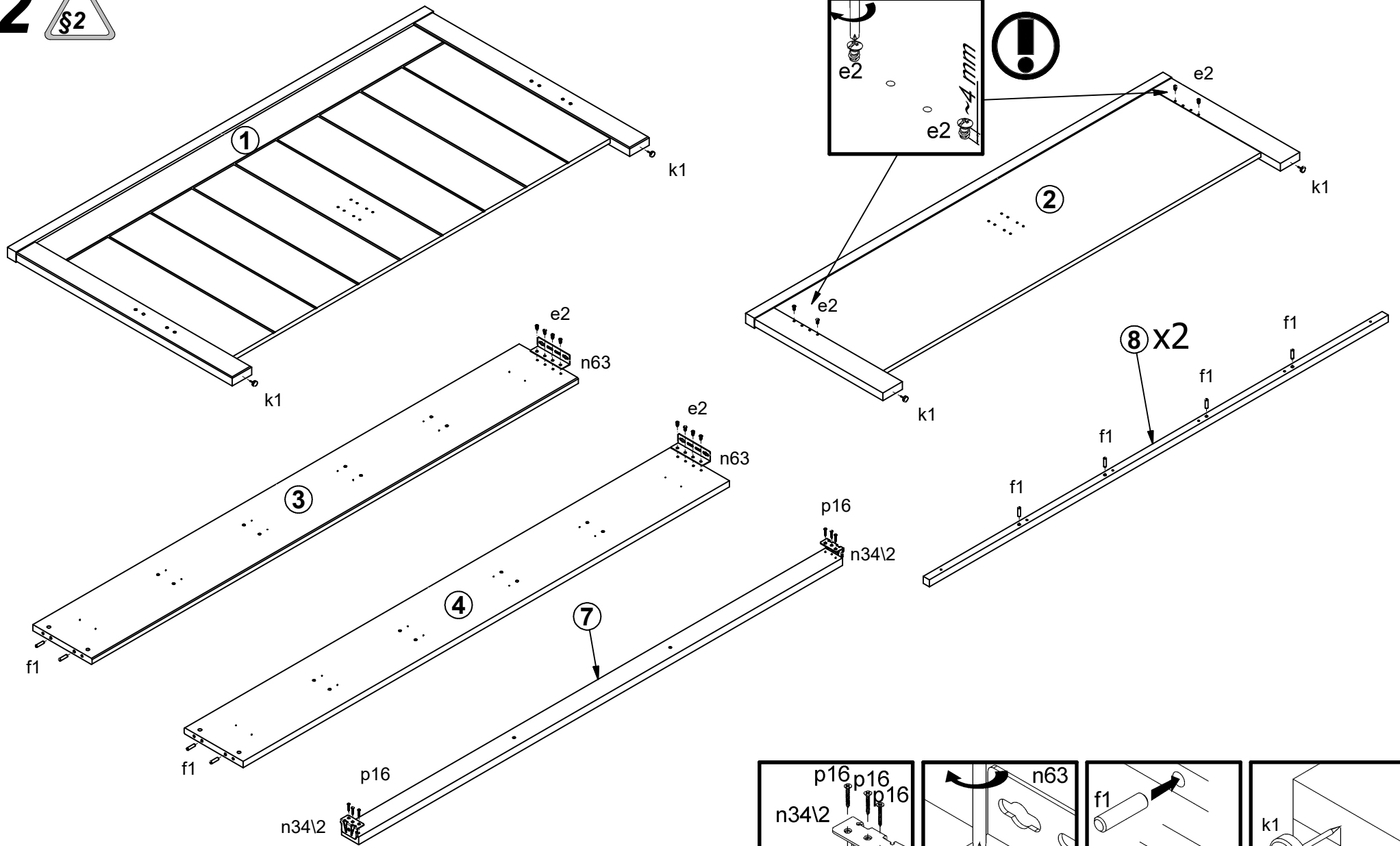
1  **A**








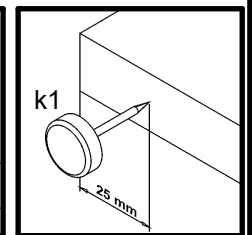
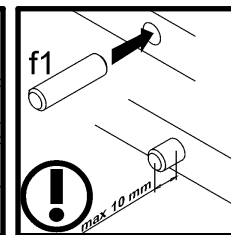
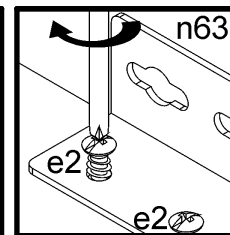
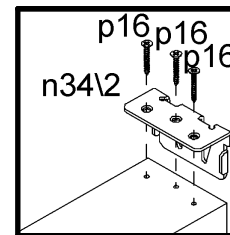
 **B**



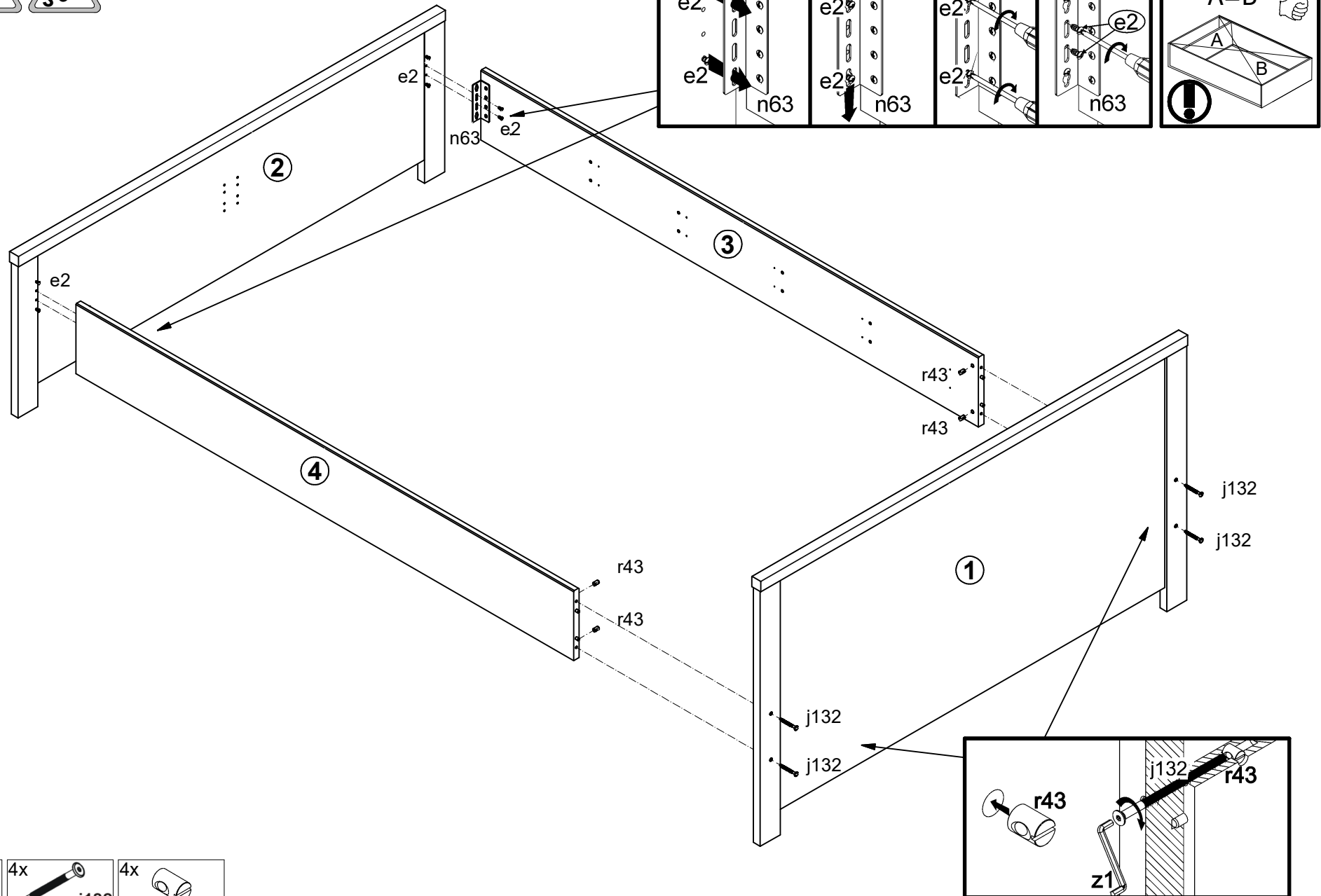
2 






- 4x  **k1**
- 12x  **f1**
Ø8x30 mm
- 12x  **e2**
Ø6.3x13 mm
- 2x  **n34\2**
- 2x  **n63**
130x34x34/2 mm

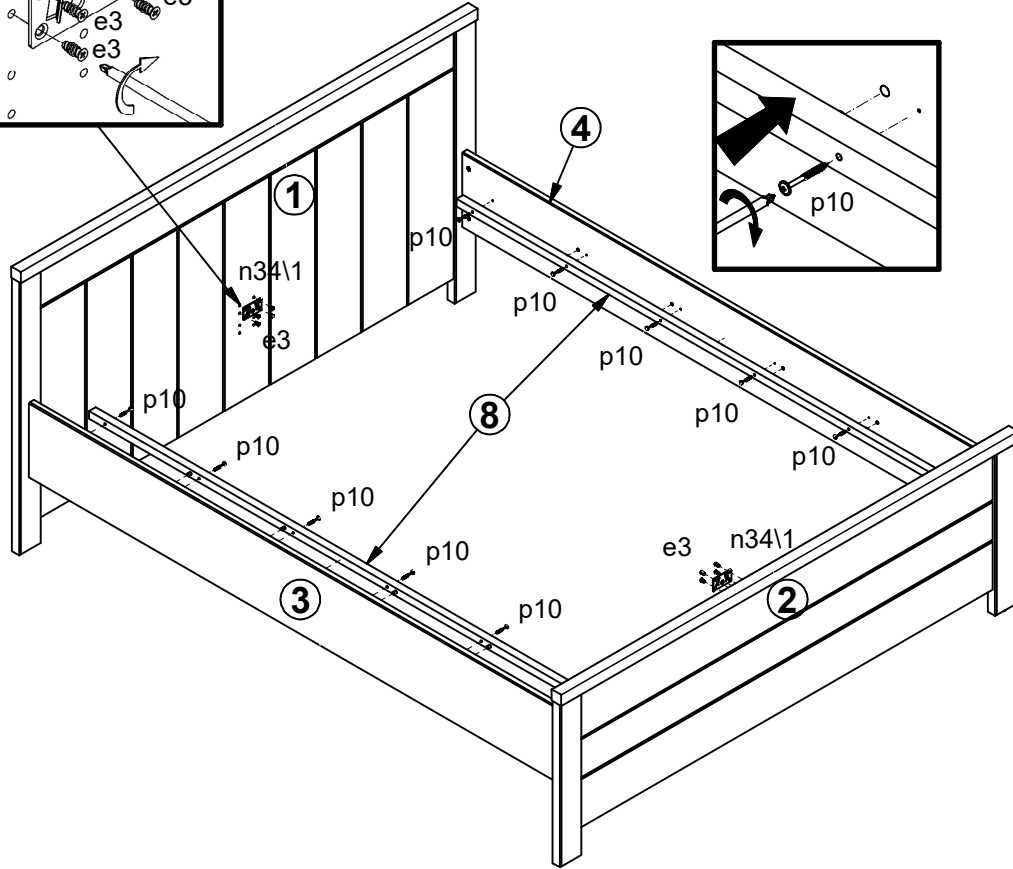
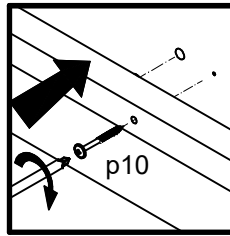
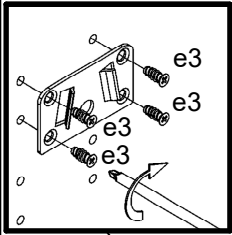


3 §2 §6

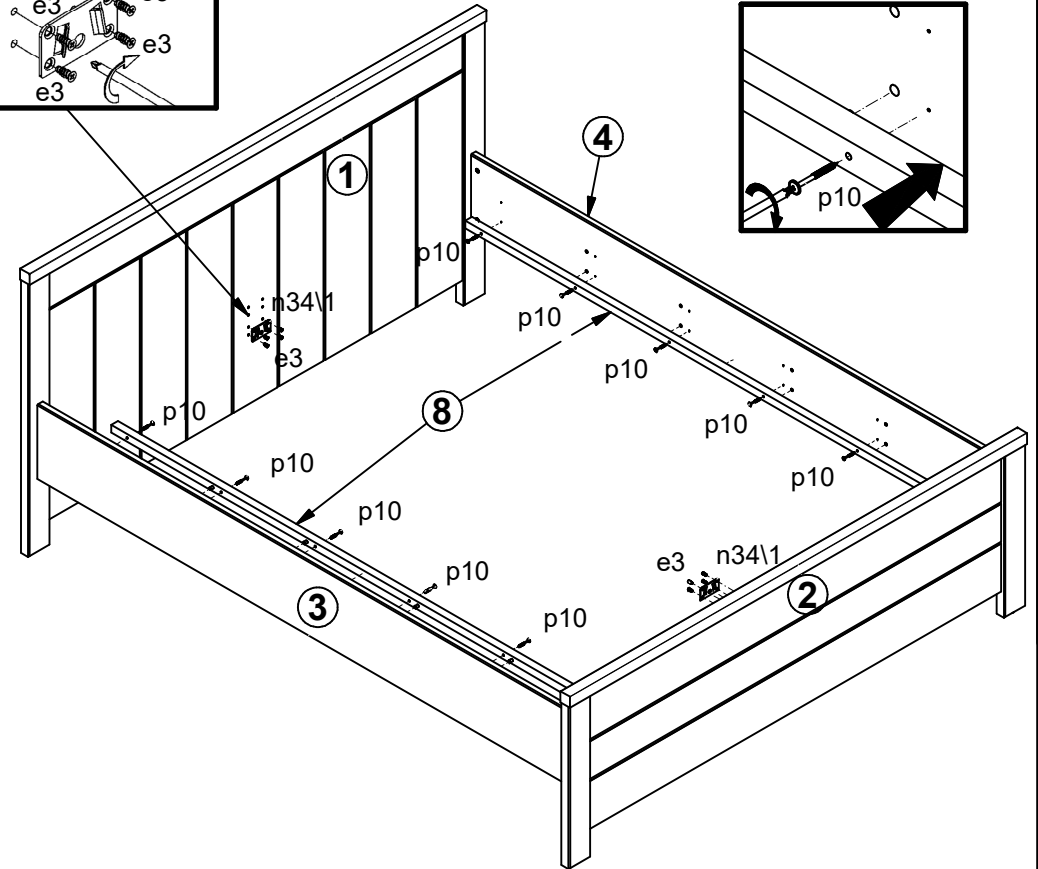
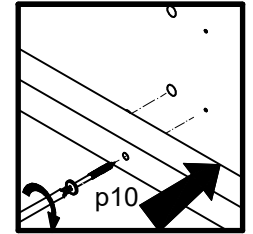
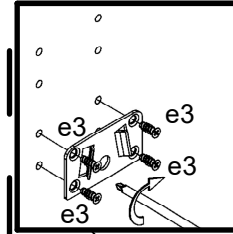


- 4x  e2
Ø6.3x13 mm
- 4x  j132
M6x65 mm
- 4x  r43
Ø10x16 mm


4 §14 A

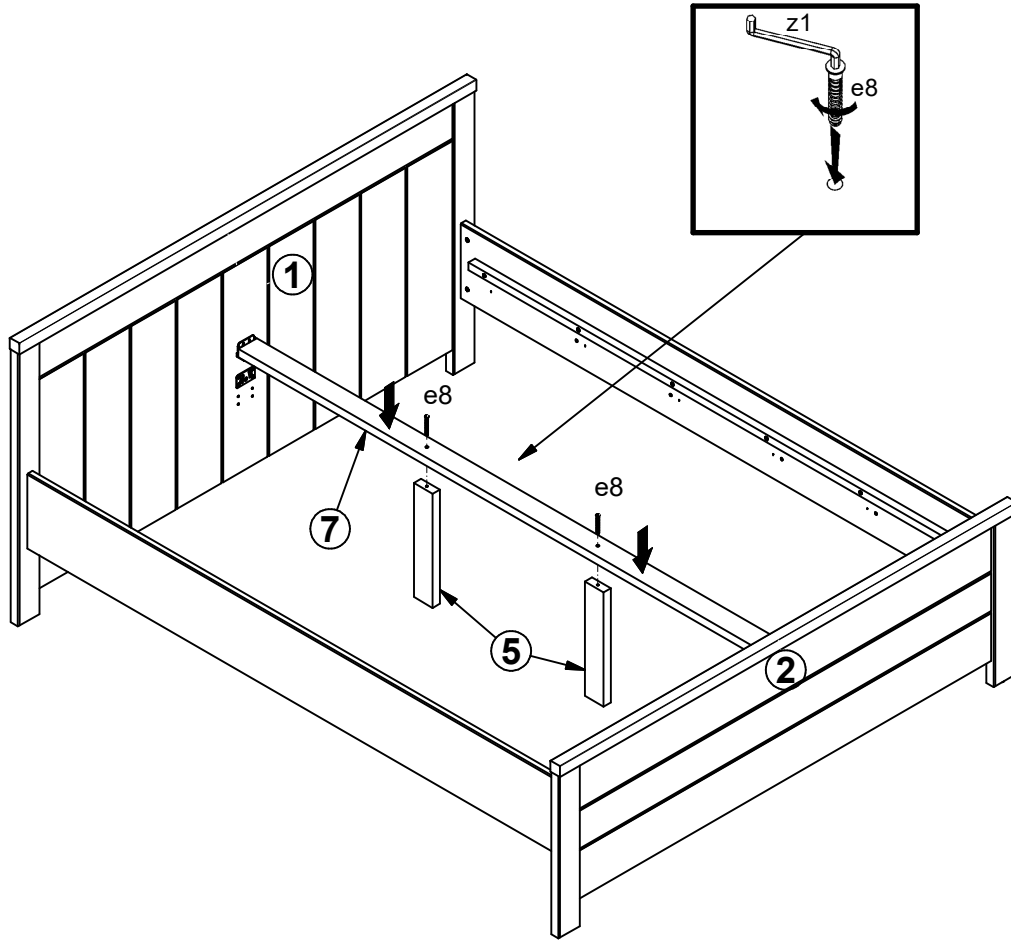


§14 B

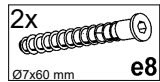
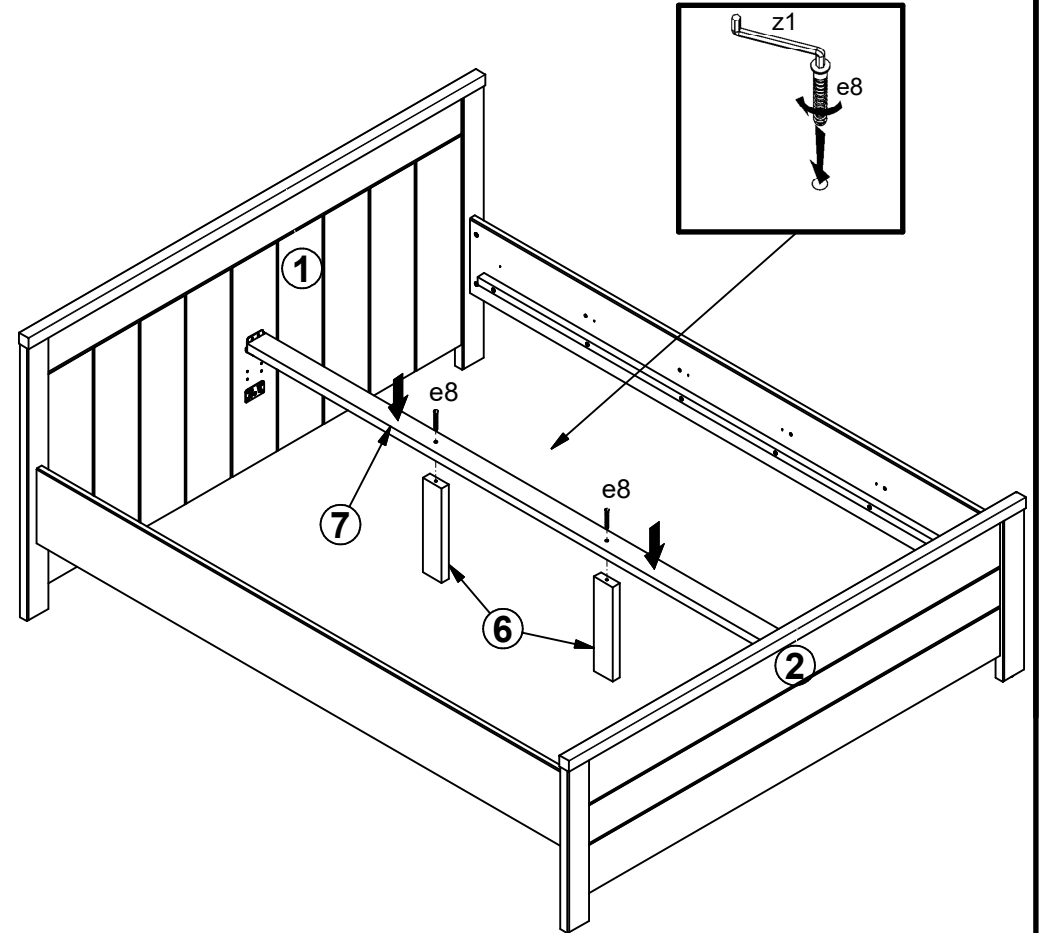


- 8x e3
- 2x n34\1
- 12x p10

5  A



 B



6

