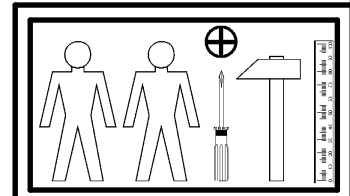
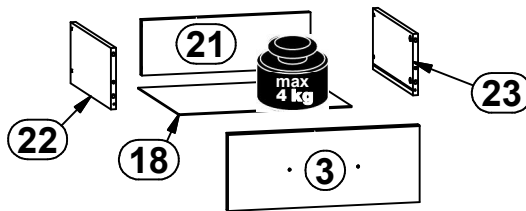
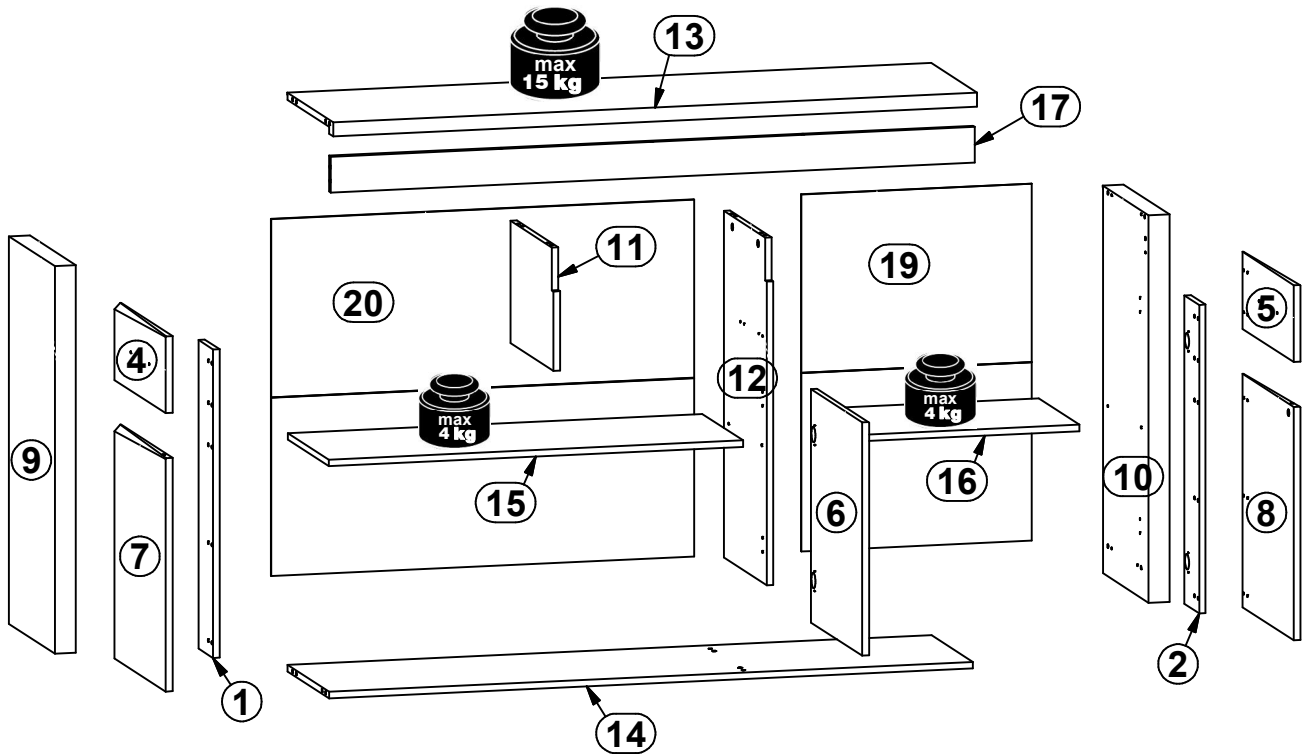
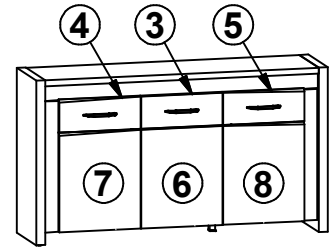
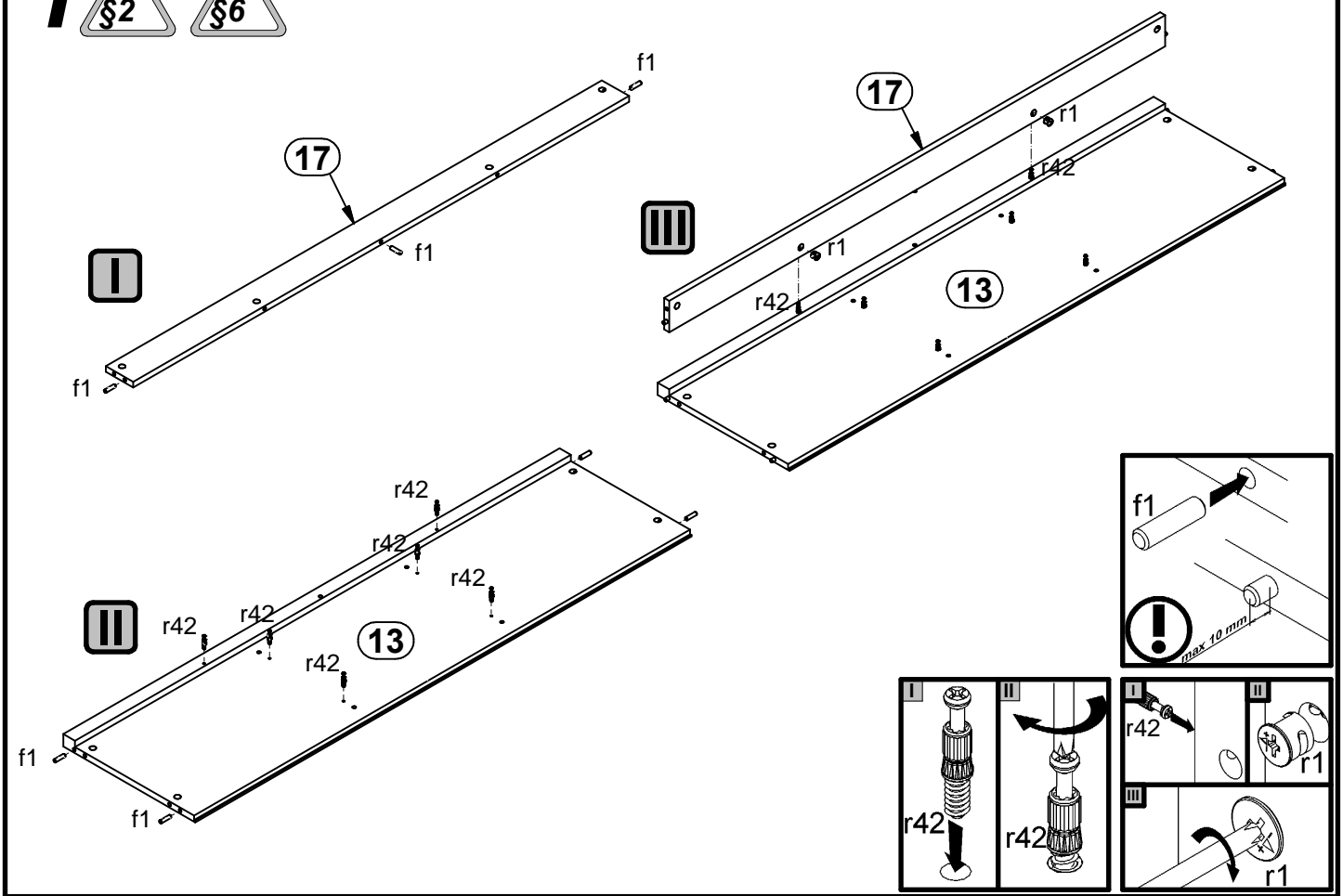


A	B	C	D	A	B	C	D		
1	S346-0005	706	128	3/3	13	S346-3004	1500	399	2/3
2	S346-0006	706	128	3/3	14	S346-3005	1500	360	2/3
3	S346-0007	446	176	3/3	15	S346-3006	965	355	1/3
4	S346-0008	446	176	3/3	16	S346-3007	518	355	1/3
5	S346-0009	446	176	3/3	17	S346-4001	1500	82	2/3
6	S346-0010	446	534	3/3	18	S346-9001	402	355	2/3
7	S346-0011	446	534	3/3	19	S346-9302	817	537	2/3
8	S346-0012	446	534	3/3	20	S346-9303	817	985	2/3
9	S346-1003	887	400	1/3	22	ZQ3-501	350	140	2/3
10	S346-1004	887	400	1/3	23	ZQ3-502	350	140	2/3
11	S346-1005	280	375	1/3	21	ZQ2-545	392	127	2/3
12	S346-1006	793	375	1/3					

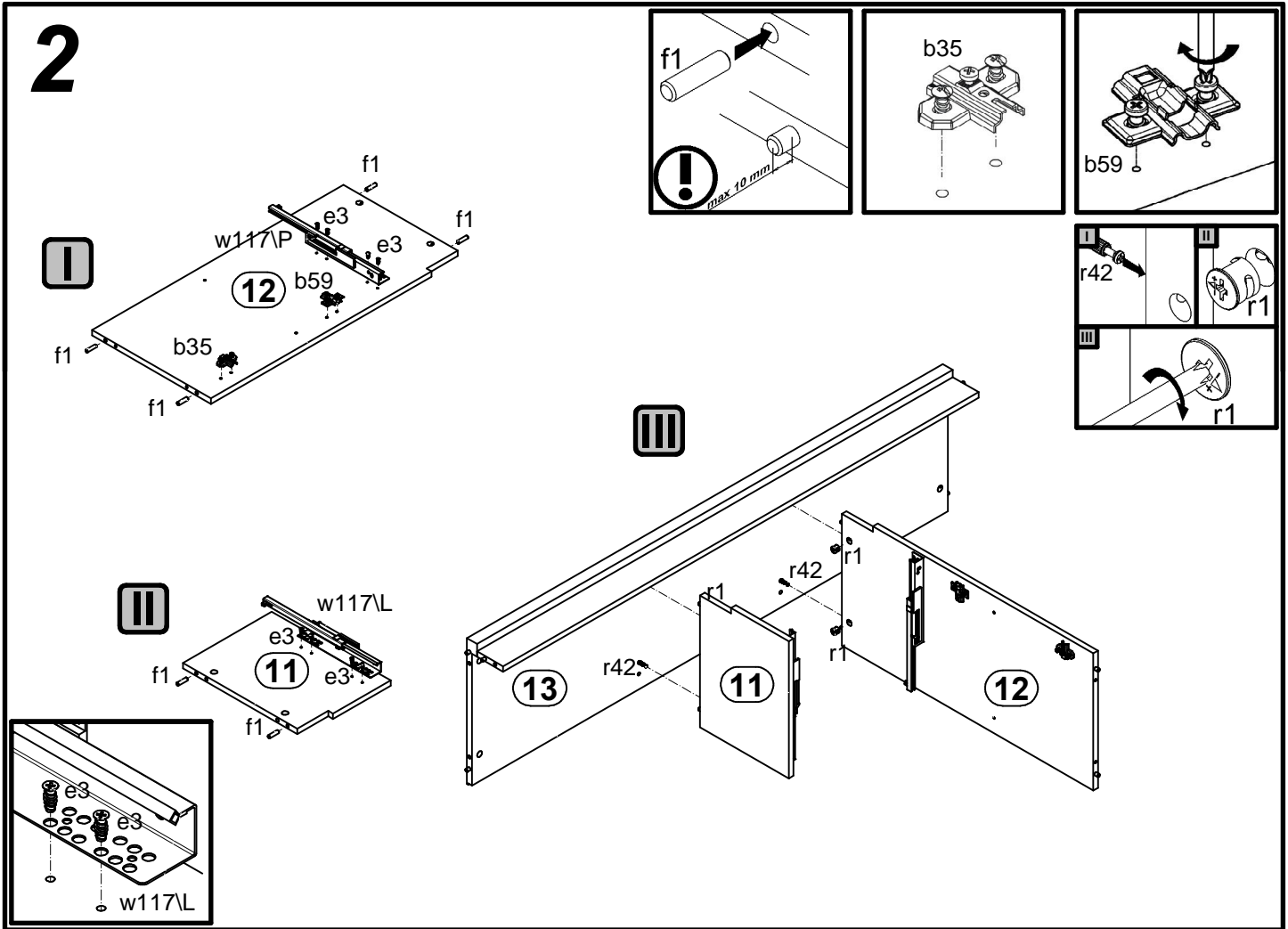


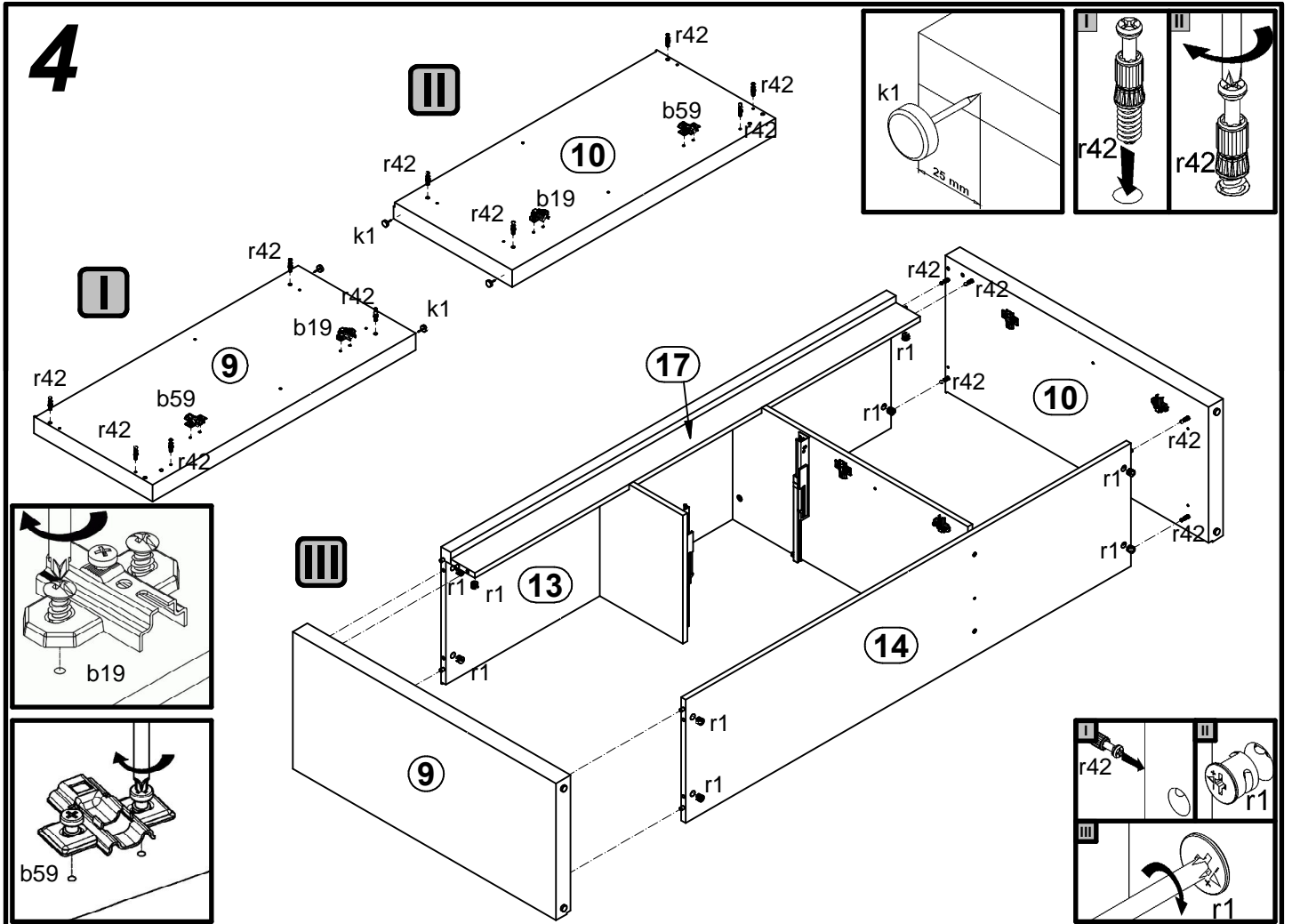
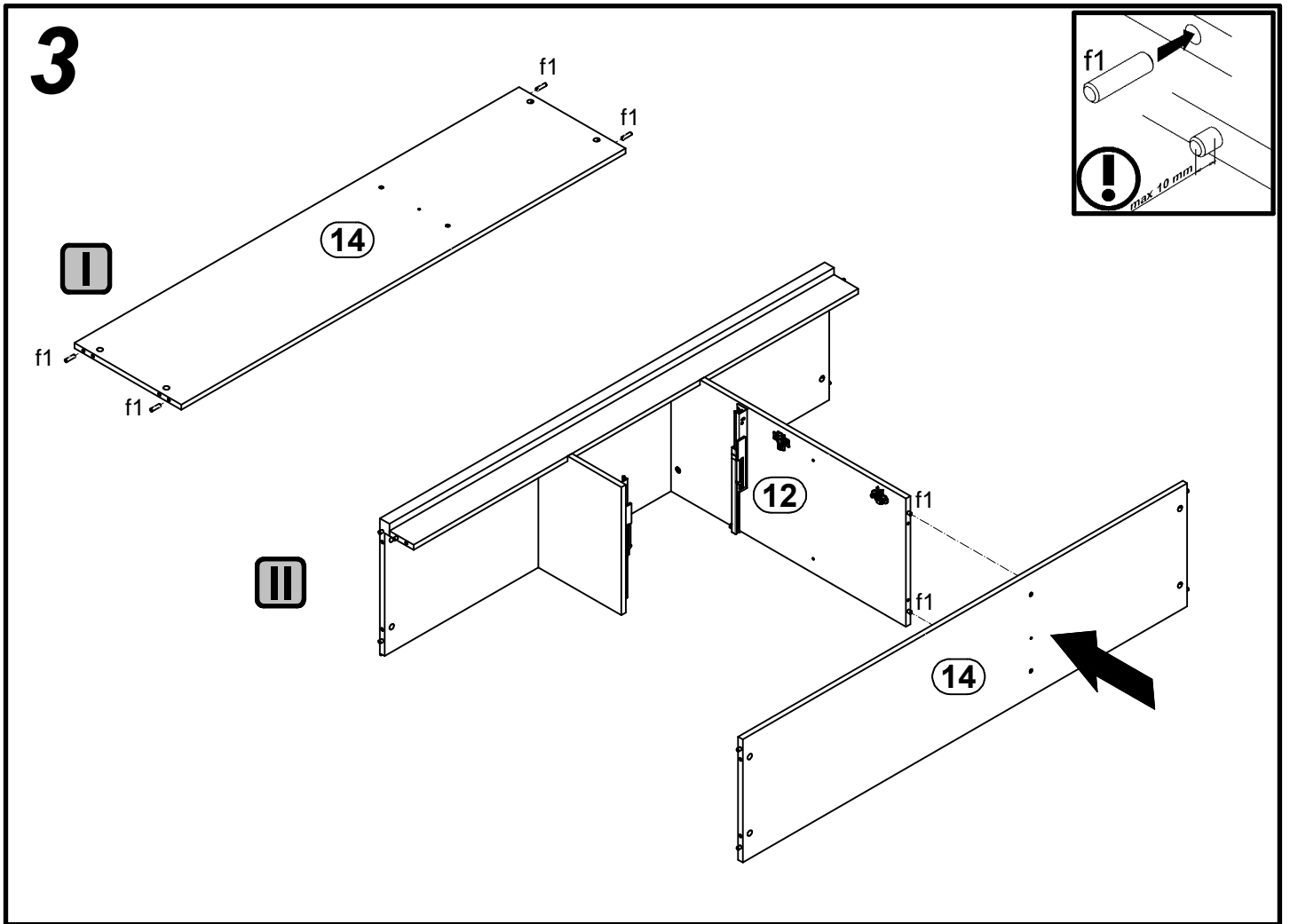
2x K16: 435 a101	1x K9: 435 a103	2x K16 a43	1x K9,5 a68	2x b19	1x D3 b35	3x D3 b59	3x 160 mm c433	8x d1
2x e1	1x e2	8x e3	20x e52	17x f1	2x f9	4x f25	6x M4x22 mm j30	4x k1
1x 42,5x42,514 mm k3813	1x 39x39x60 mm k3818	70x l1	2x o103	8x p38	12x p51	18x r1	4x r15	22x 20x11 r42
1x 350 mm W117\L s68	1x 350 mm W117\P z1	2x s68	1x 4 mm z1				1x n261	1x p38

**1**  

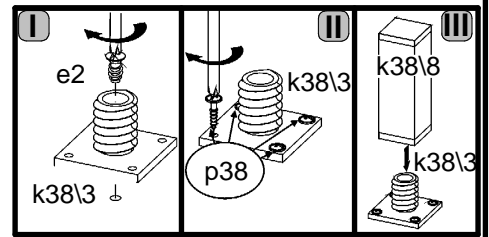
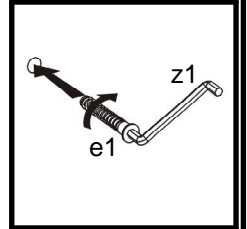
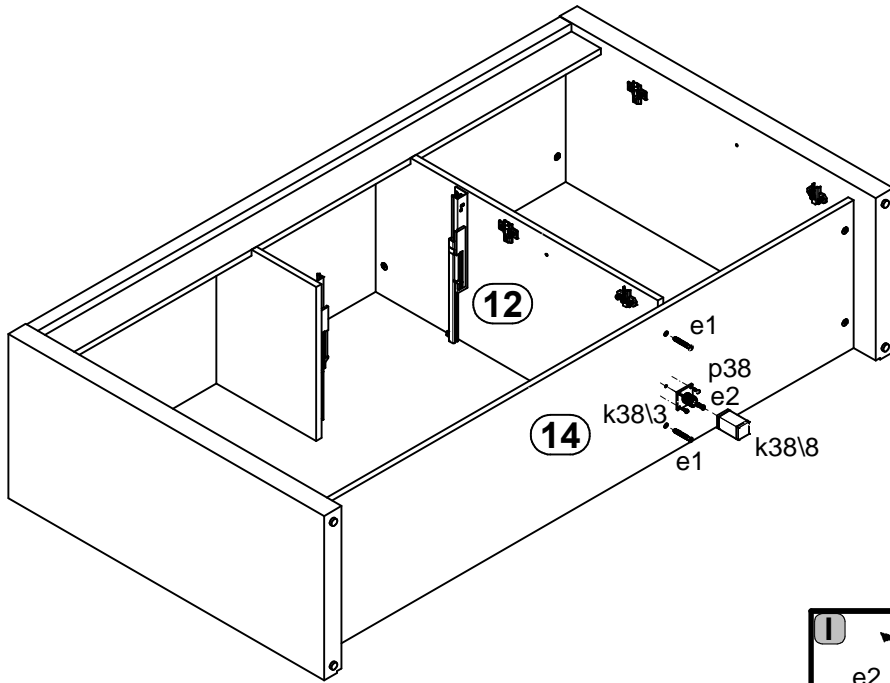


**2**

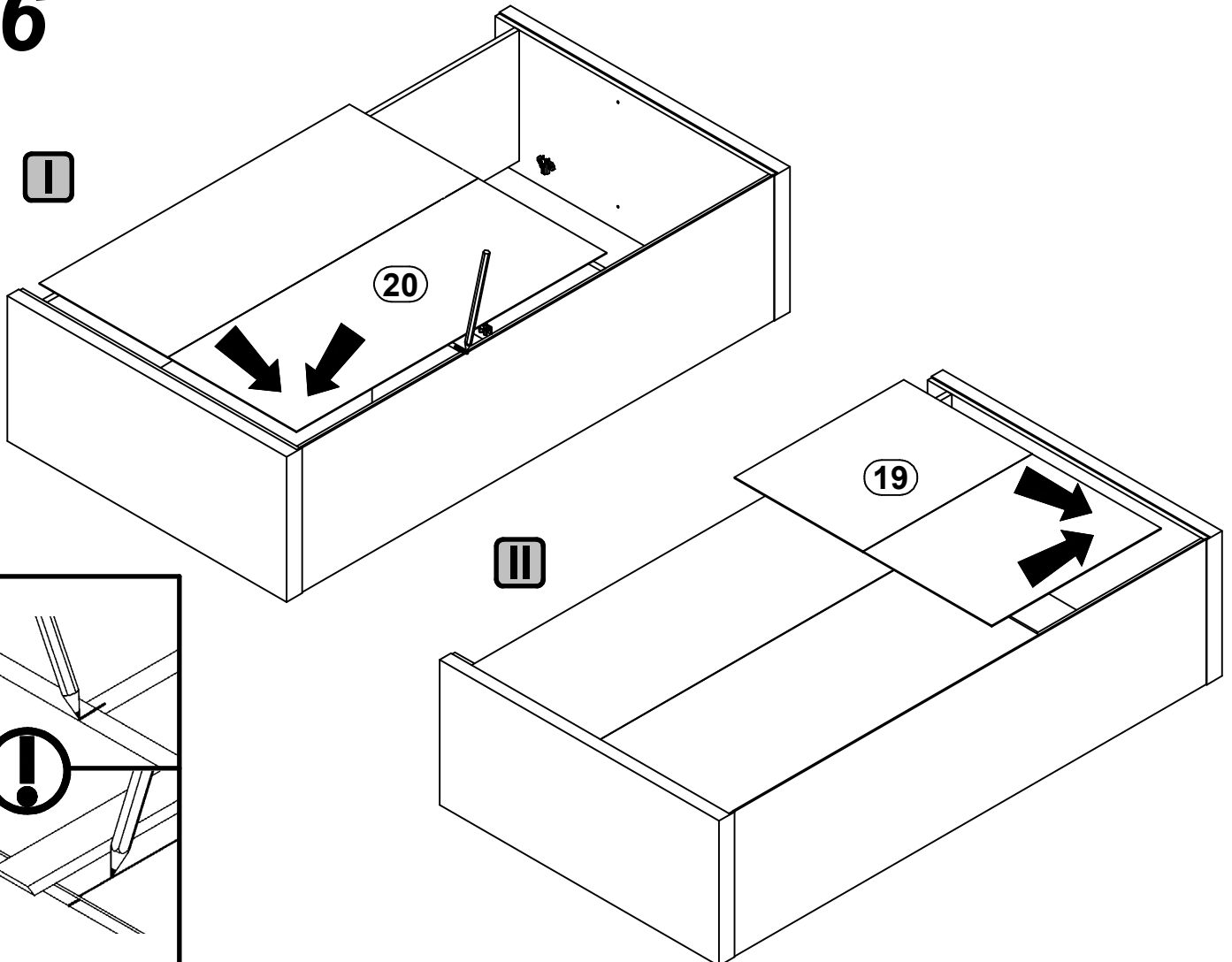




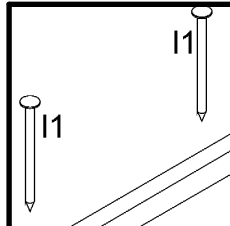
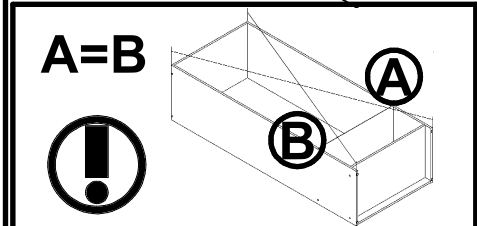
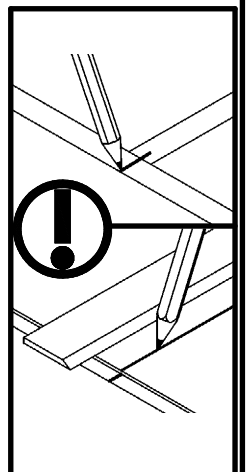
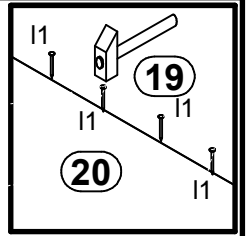
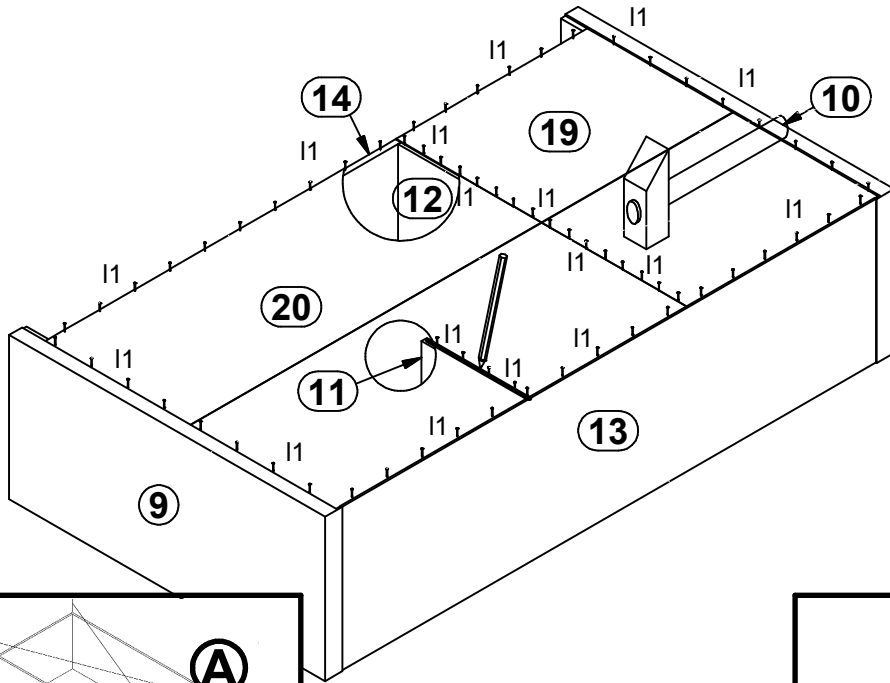
# 5



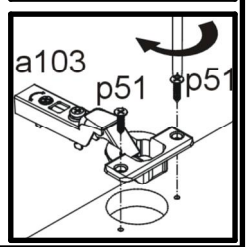
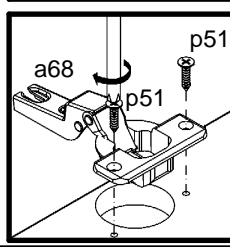
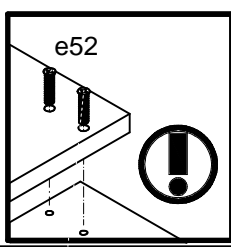
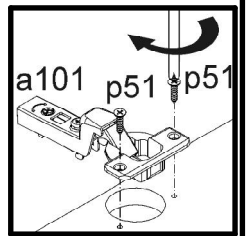
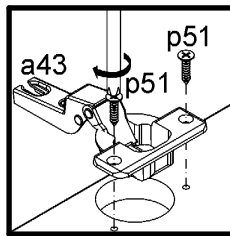
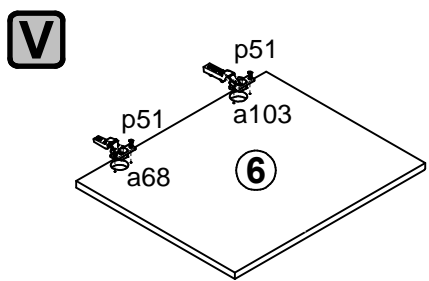
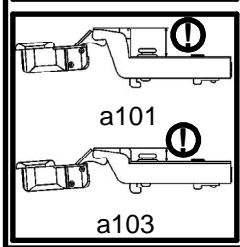
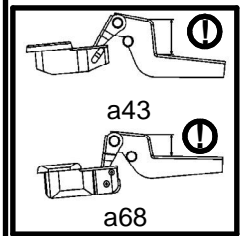
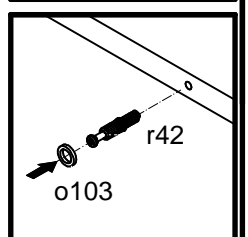
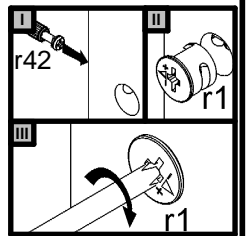
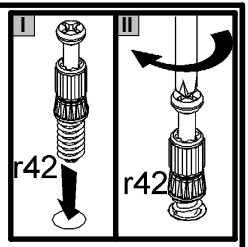
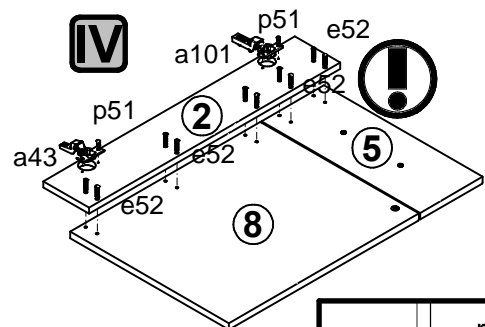
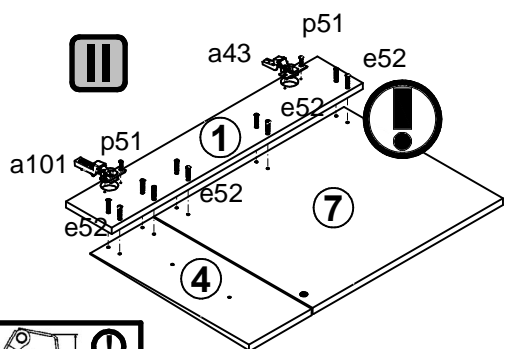
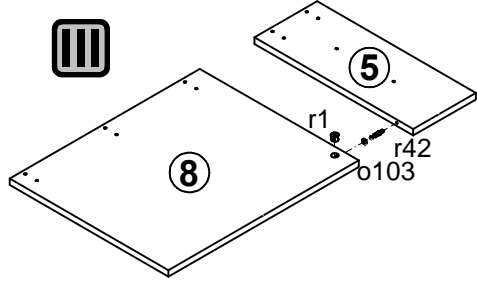
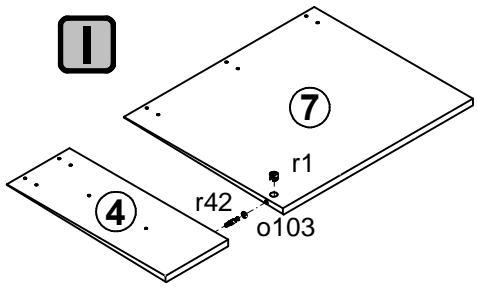
# 6



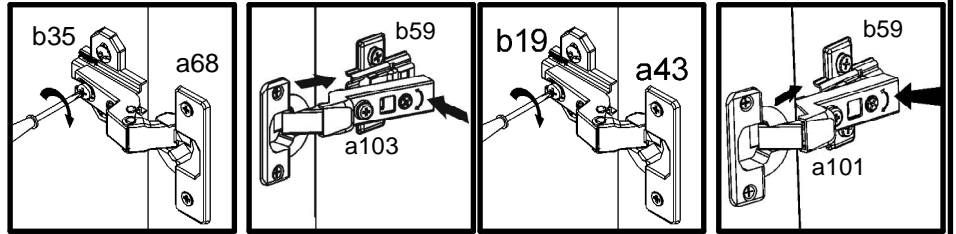
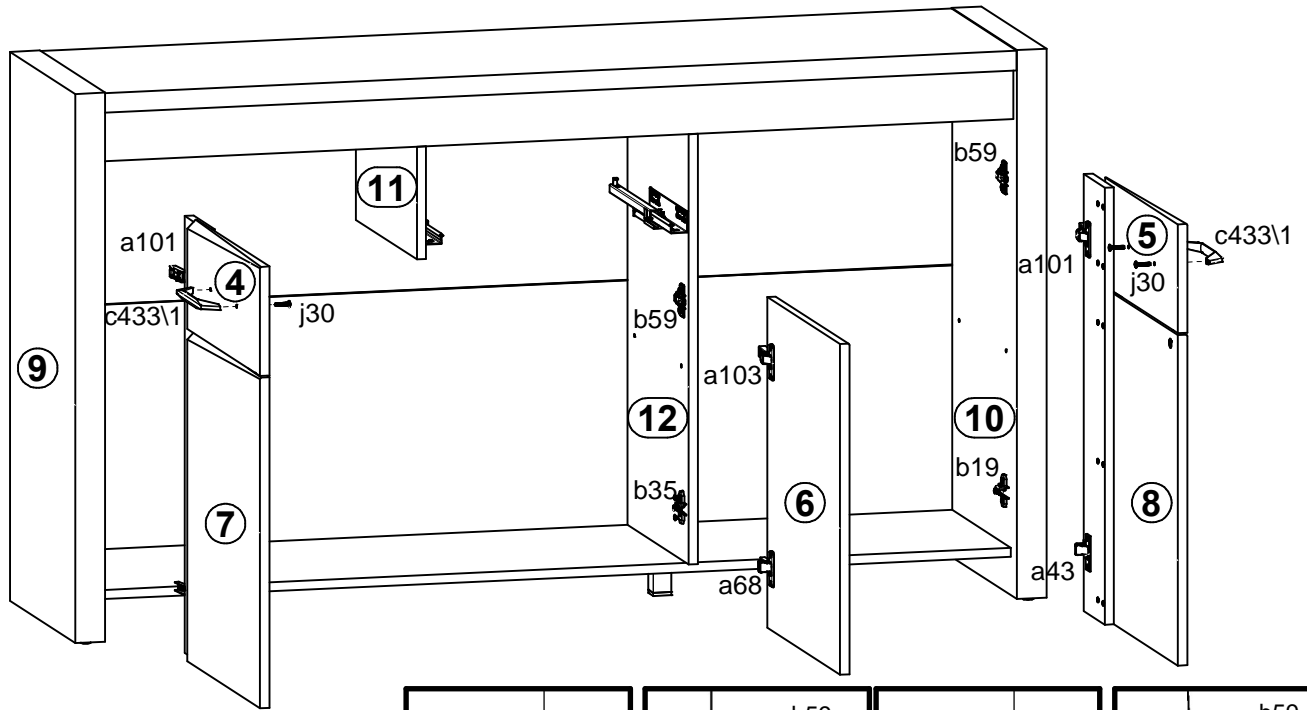
# 7



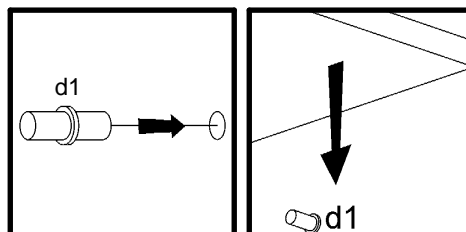
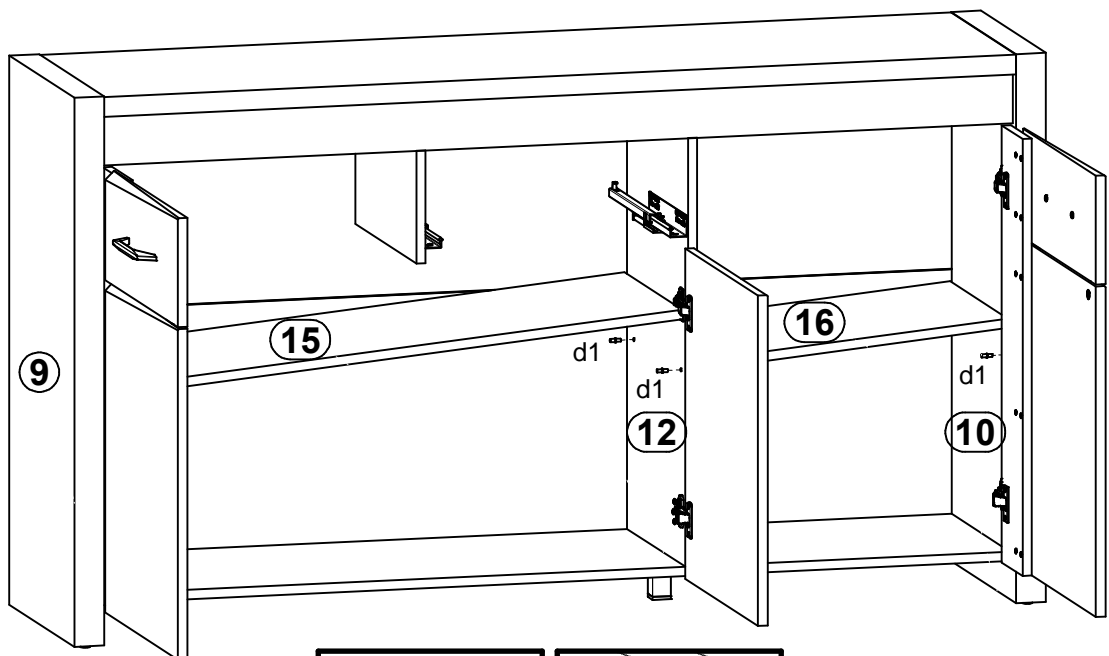
# 8



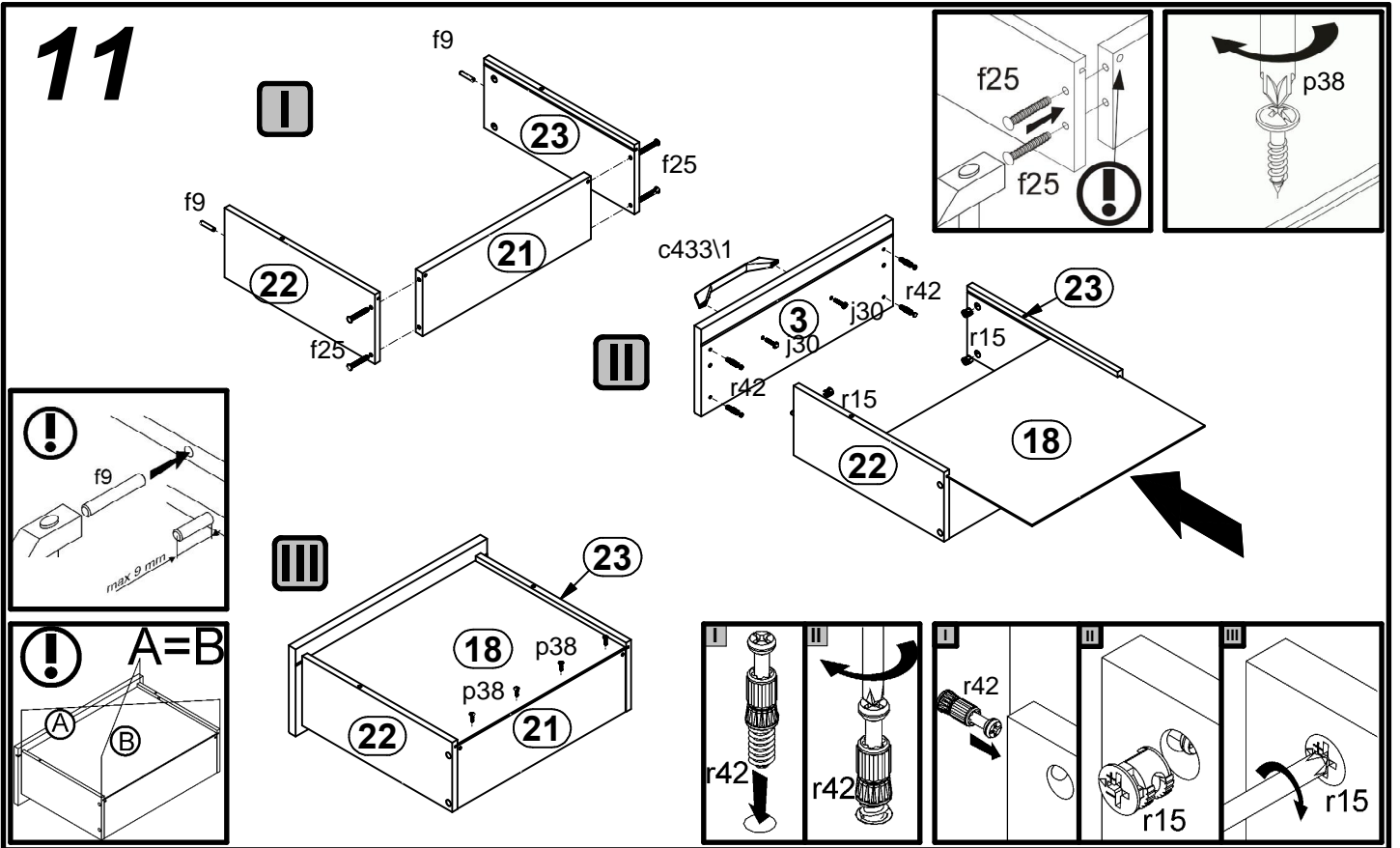
# 9



# 10



# 11



# 12

