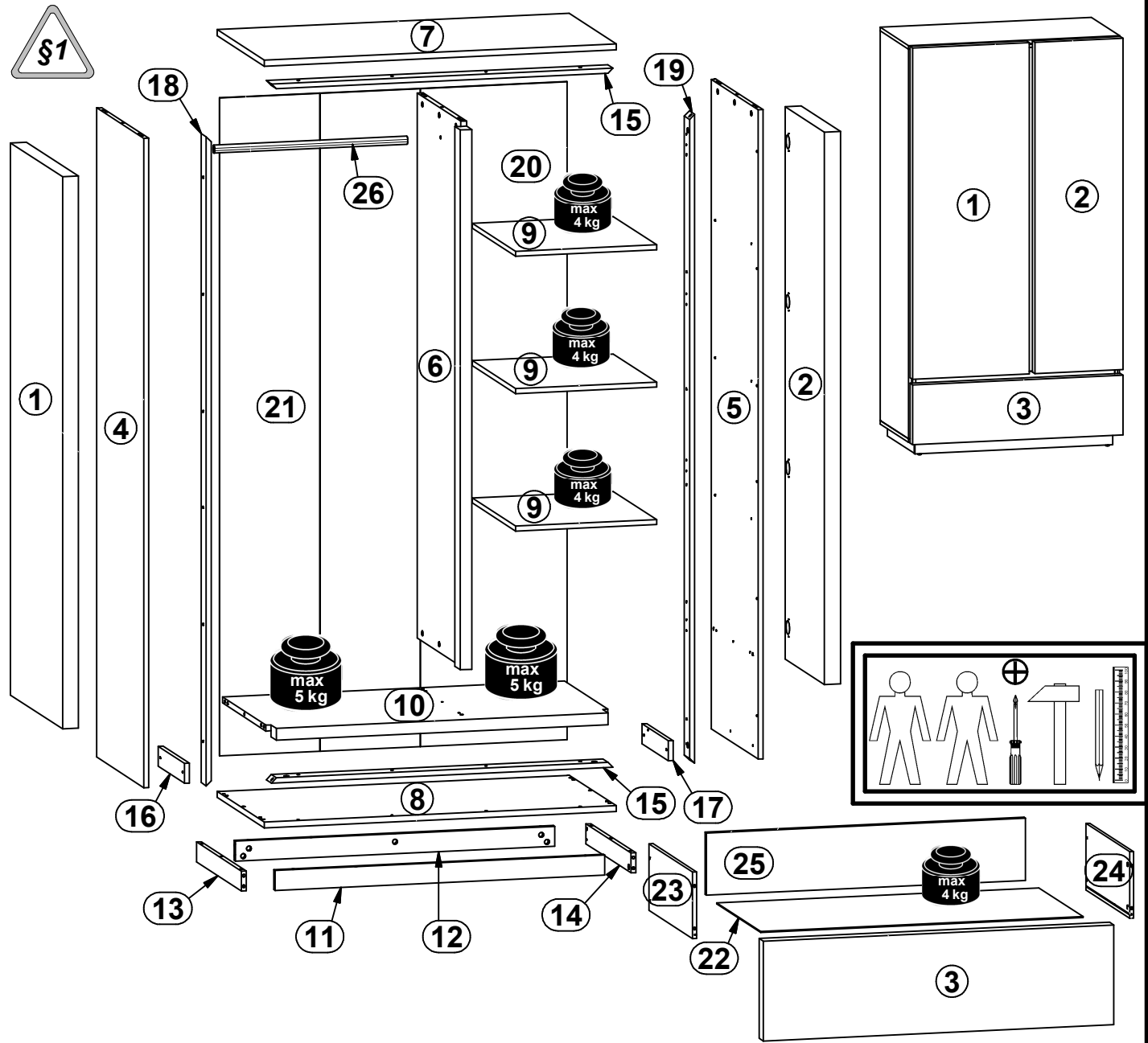
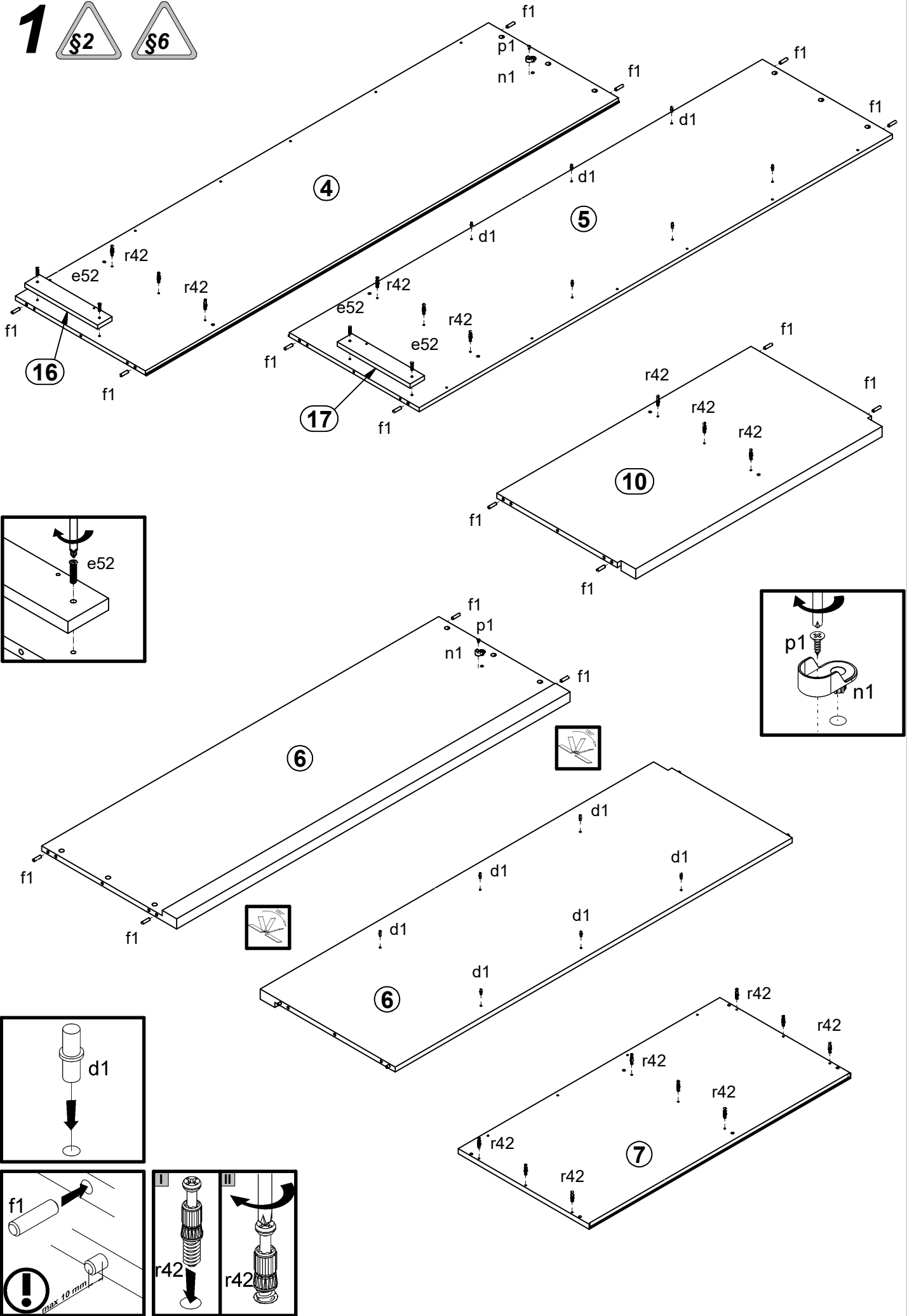


| A | B        | C    | D   | A   | B  | C        | D    | A   | B   | C  | D        |      |     |     |
|---|----------|------|-----|-----|----|----------|------|-----|-----|----|----------|------|-----|-----|
| 1 | S317-005 | 1660 | 596 | 5/6 | 10 | S317-308 | 1048 | 557 | 3/6 | 19 | S317-428 | 1951 | 60  | 4/6 |
| 2 | S317-006 | 1660 | 450 | 5/6 | 11 | S317-419 | 1010 | 60  | 3/6 | 20 | S317-906 | 1978 | 450 | 1/6 |
| 3 | S317-007 | 1074 | 300 | 6/6 | 12 | S317-420 | 979  | 60  | 2/6 | 21 | S317-907 | 1978 | 615 | 1/6 |
| 4 | S317-108 | 1952 | 540 | 1/6 | 13 | S317-421 | 513  | 60  | 3/6 | 22 | S317-908 | 988  | 505 | 3/6 |
| 5 | S317-109 | 1952 | 540 | 1/6 | 14 | S317-422 | 513  | 60  | 3/6 | 23 | ZQ2-515  | 500  | 200 | 3/6 |
| 6 | S317-110 | 1638 | 557 | 2/6 | 15 | S317-423 | 1047 | 60  | 4/6 | 24 | ZQ2-516  | 500  | 200 | 3/6 |
| 7 | S317-207 | 1079 | 540 | 3/6 | 16 | S317-425 | 300  | 60  | 2/6 | 25 | ZQ2-517  | 978  | 187 | 3/6 |
| 8 | S317-208 | 1079 | 540 | 3/6 | 17 | S317-426 | 300  | 60  | 2/6 | 26 | dr-592   | 592  | 22  | 2/6 |
| 9 | S317-307 | 432  | 496 | 2/6 | 18 | S317-427 | 1951 | 60  | 4/6 |    |          |      |     |     |

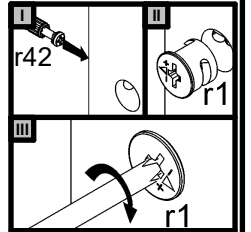
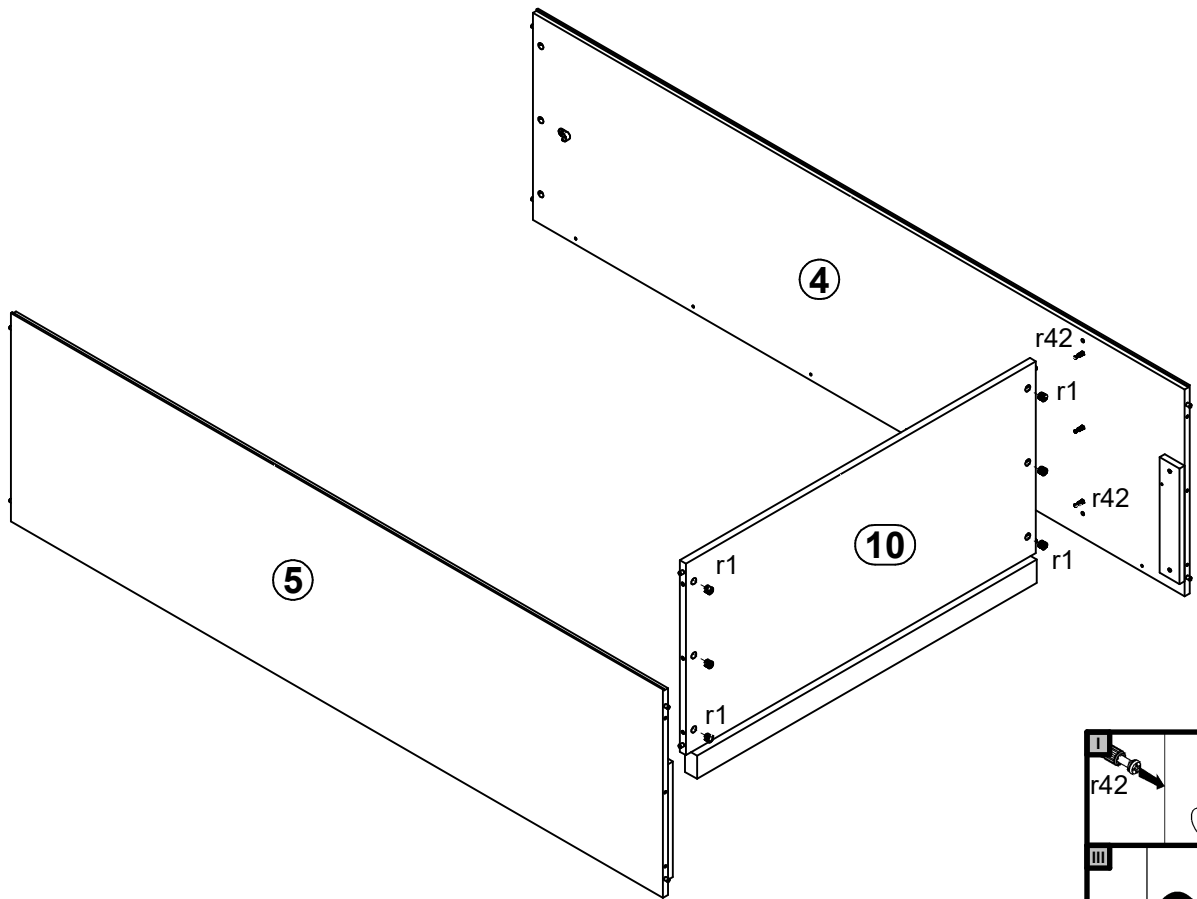


|                                  |                        |                         |                            |                             |                             |                              |                              |                                |
|----------------------------------|------------------------|-------------------------|----------------------------|-----------------------------|-----------------------------|------------------------------|------------------------------|--------------------------------|
| 4x<br>KD<br>240<br><br>a128      | 4x<br>440<br><br>a129  | 8x<br>H-G<br><br>b75    | 12x<br><br>Ø5x17 mm<br>d1  | 6x<br><br>Ø7x50 mm<br>e1    | 4x<br><br>Ø6x13 mm<br>e3    | 24x<br><br>Ø6,3x26 mm<br>e52 | 30x<br><br>Ø8x30 mm<br>f1    | 4x<br><br>Ø6,5x40 mm<br>f25    |
| 4x<br><br>k1                     | 110x<br><br>l1         | 2x<br>h=22mm<br><br>n1  | 2x<br><br>Ø3,5x13 mm<br>p1 | 1x<br><br>Ø3,5x16 mm<br>p25 | 1x<br><br>Ø3,5x10 mm<br>p35 | 7x<br><br>Ø3,5x16 mm<br>p38  | 16x<br><br>Ø3,5x15 mm<br>p51 | 36x<br><br>Ø15x12 mm #16<br>r1 |
| 4x<br><br>Ø12x10,5 mm #12<br>r15 | 4x<br>39/39<br><br>r38 | 32x<br>20/11<br><br>r42 | 1x<br>500 mm<br><br>t34    | 1x<br>500 mm<br><br>w128/L  | 1x<br>500 mm<br><br>w128/P  | 14x<br><br>Ø16<br>s2         | 1x<br><br>n26/l1             | 1x<br><br>Ø3,5x16 mm<br>p38    |
| 1x<br><br>z1                     |                        |                         |                            |                             |                             |                              |                              |                                |

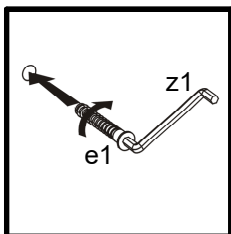
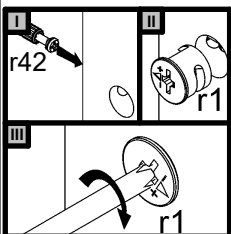
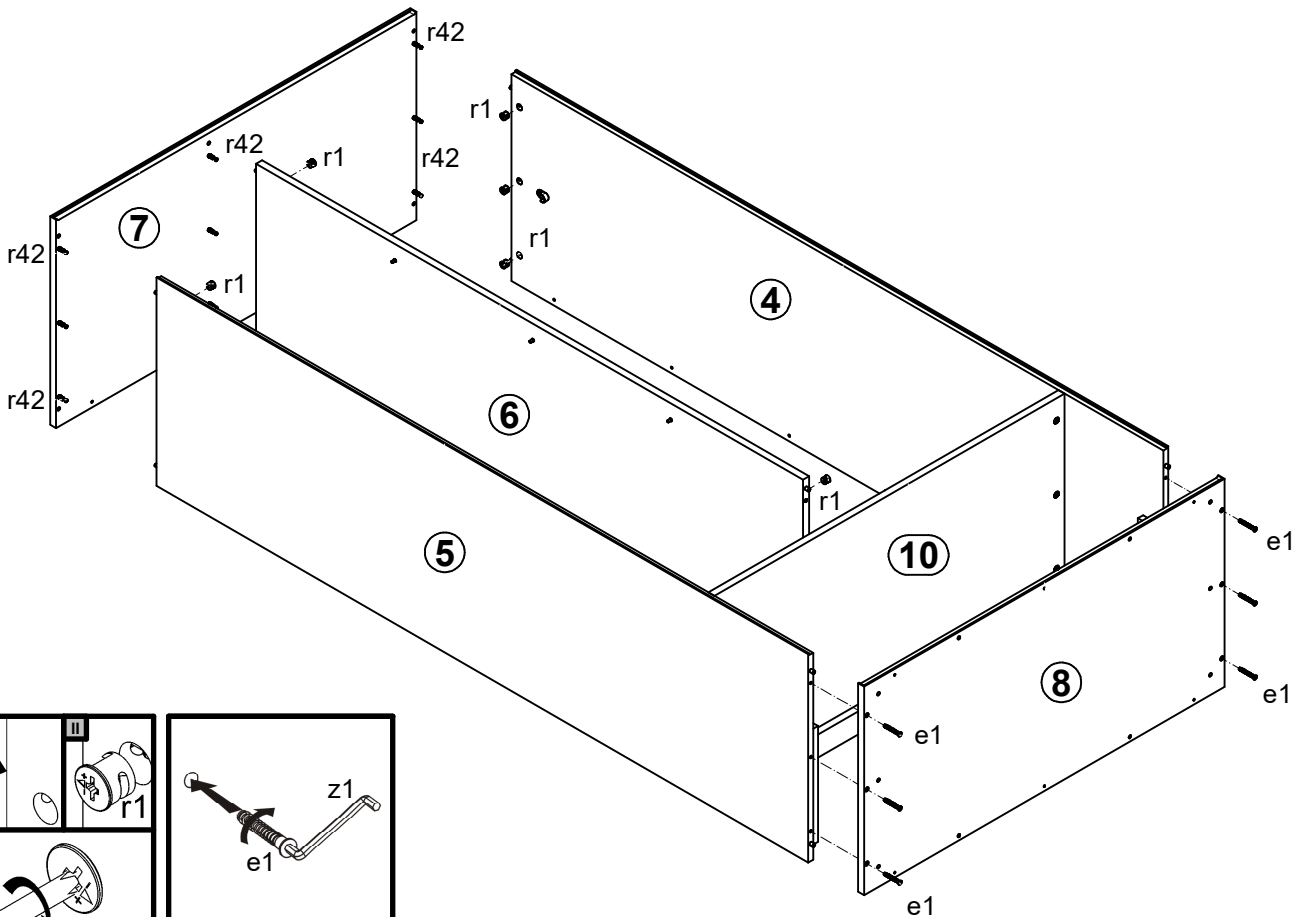
**1** §2 §6



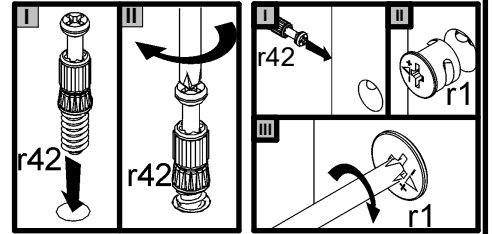
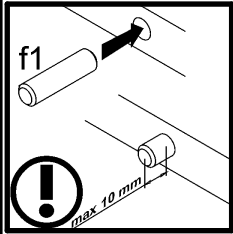
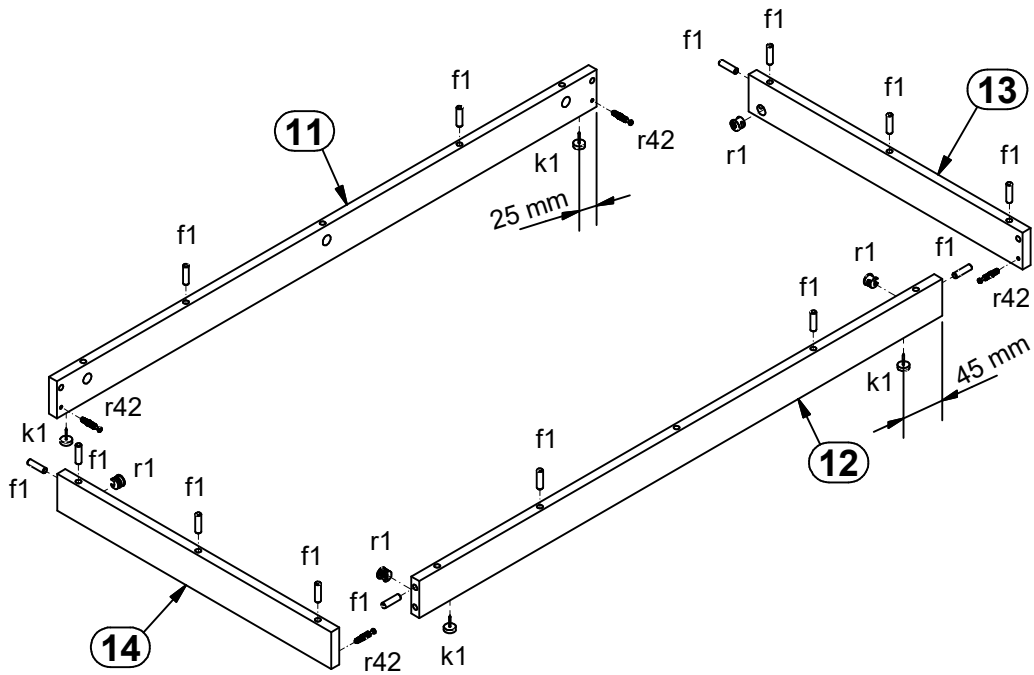
# 2



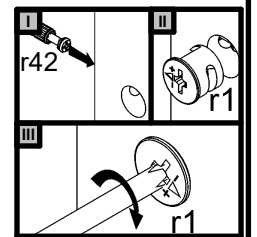
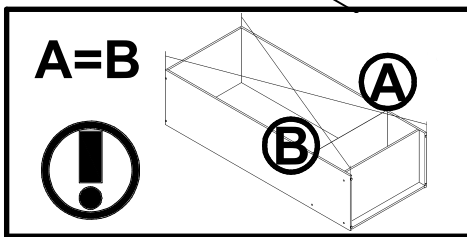
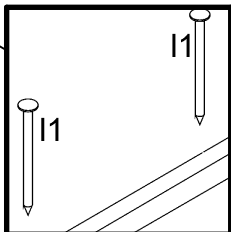
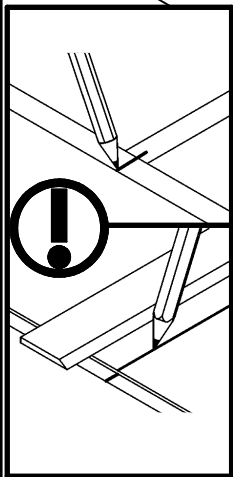
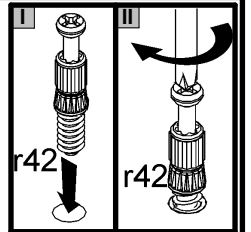
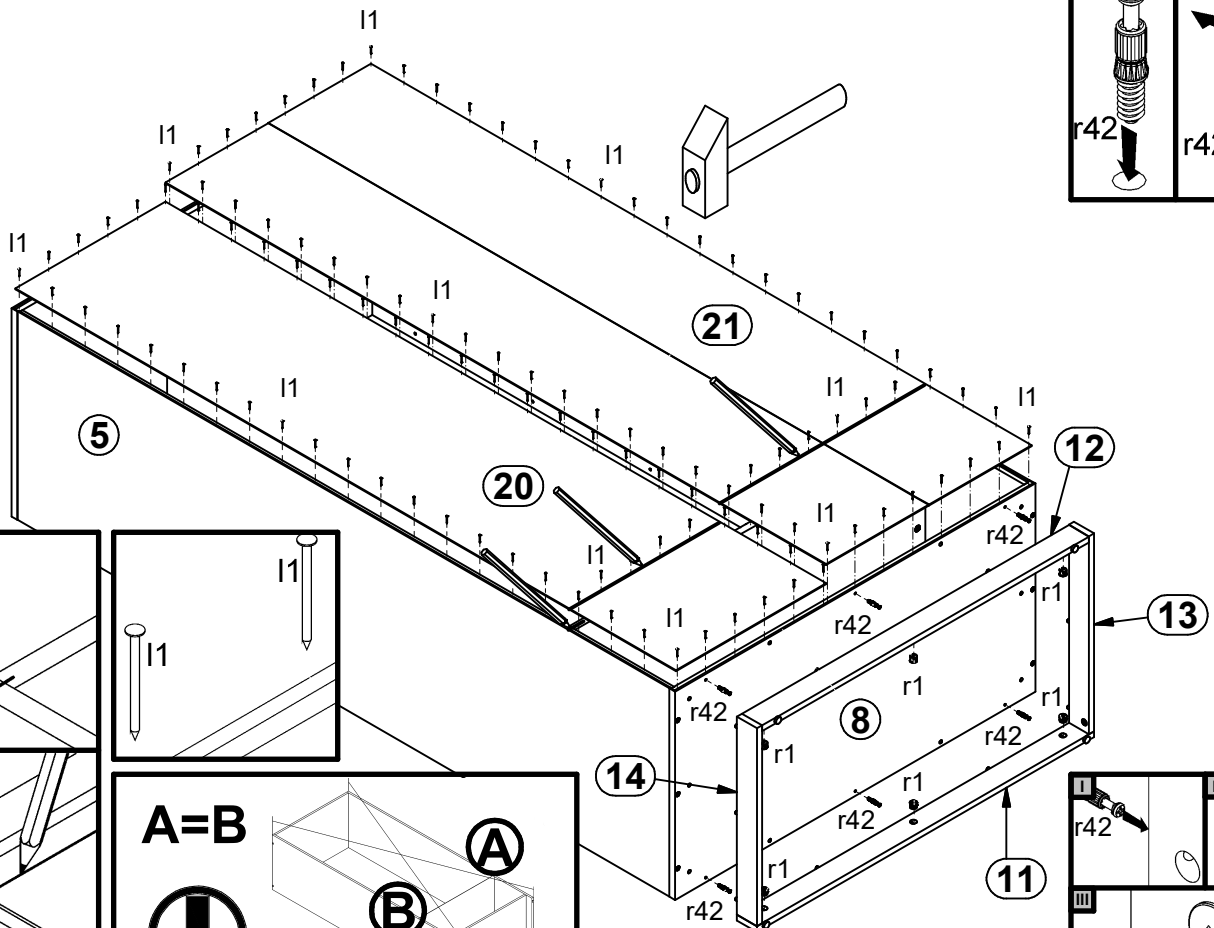
# 3



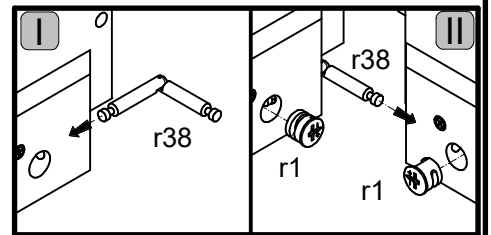
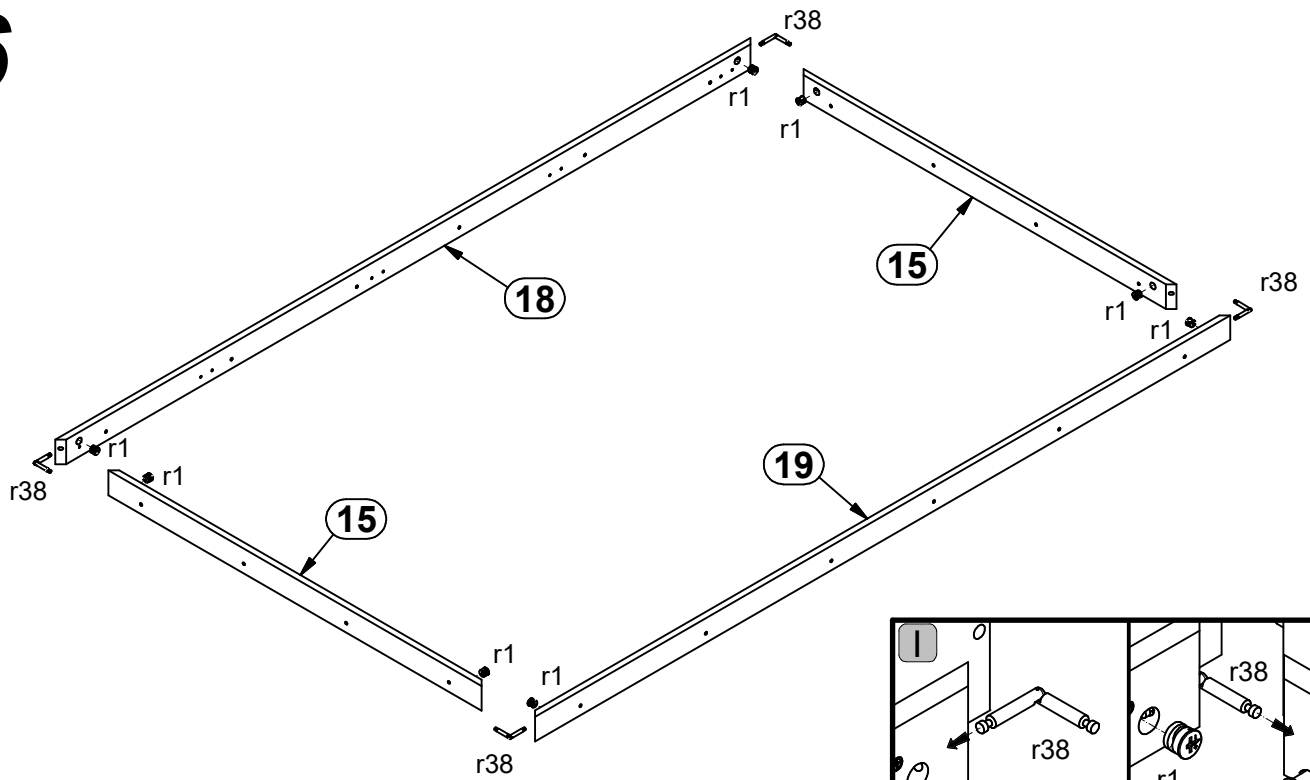
# 4



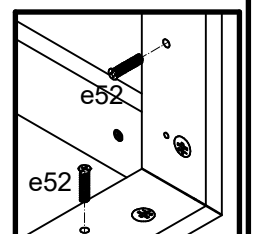
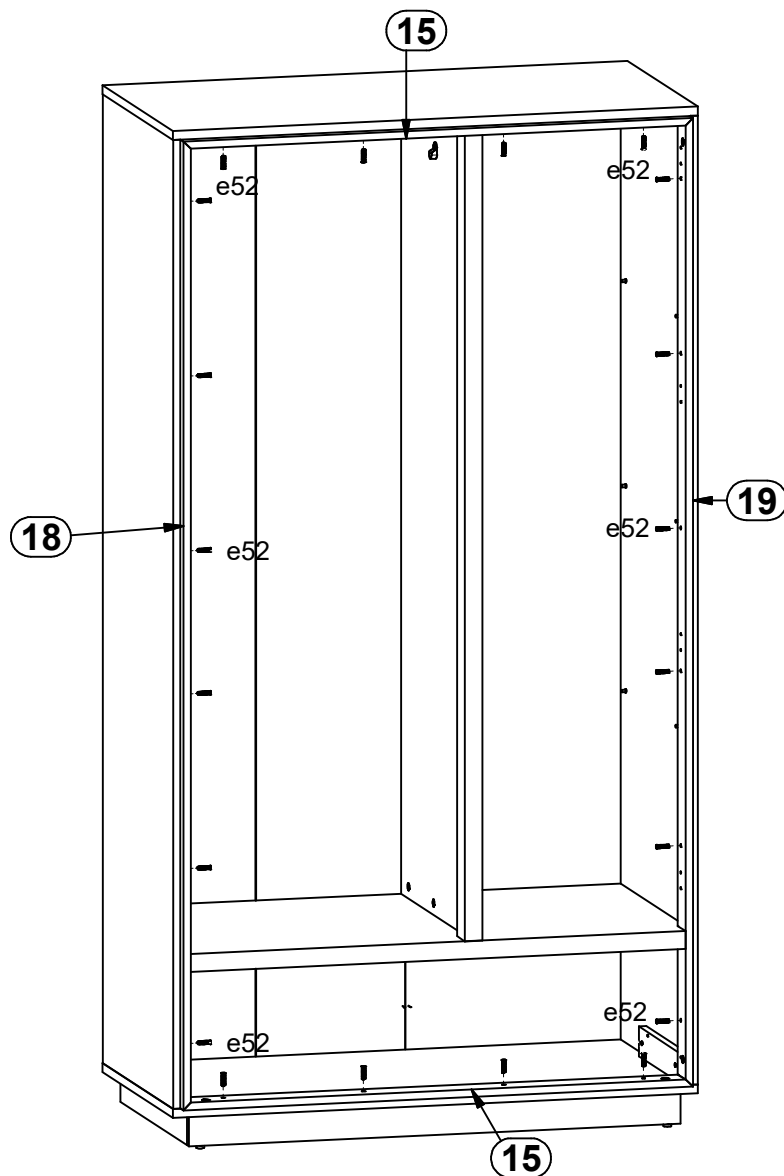
# 5



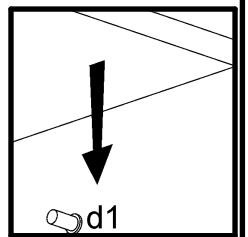
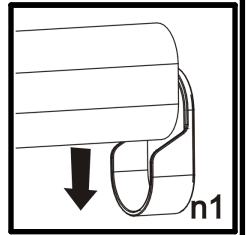
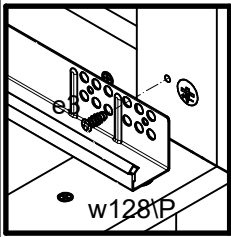
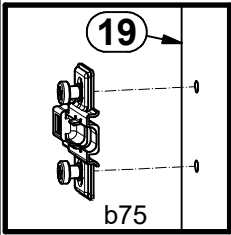
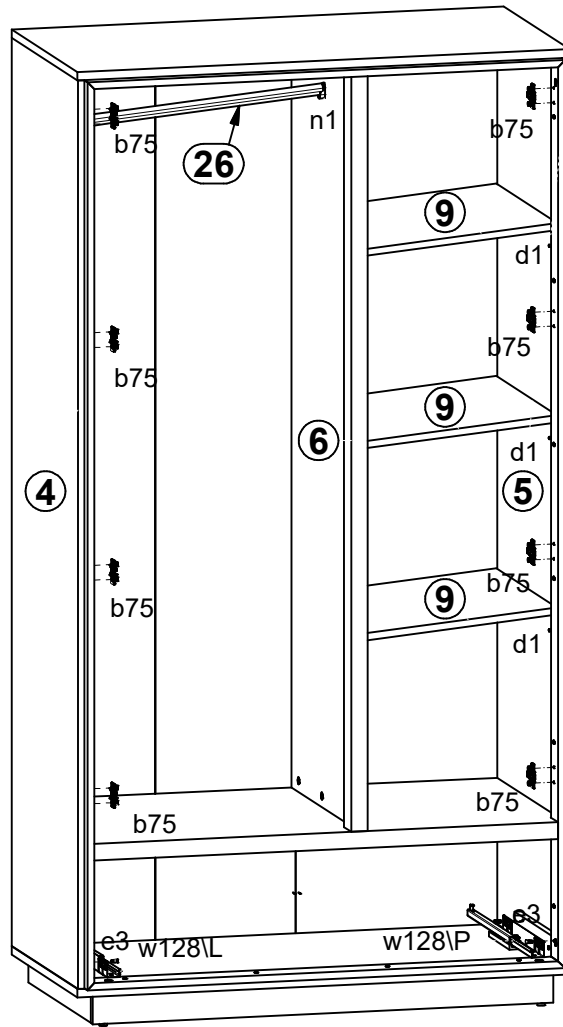
# 6



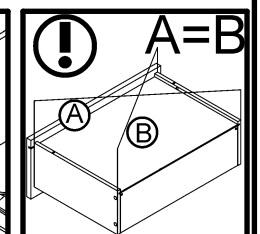
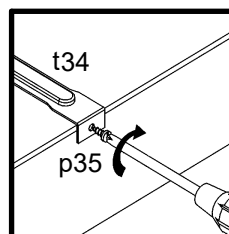
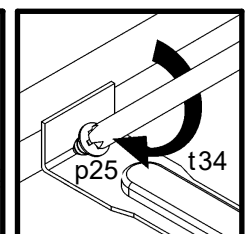
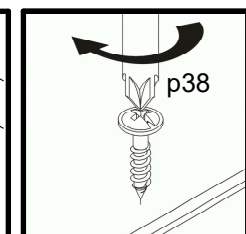
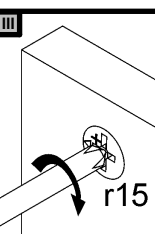
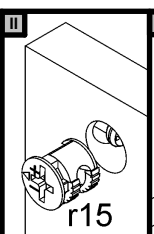
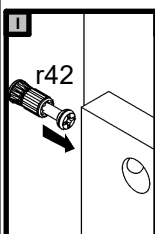
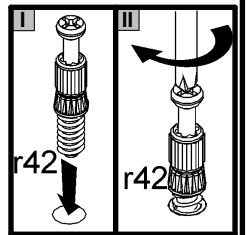
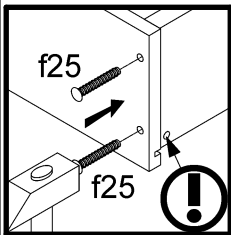
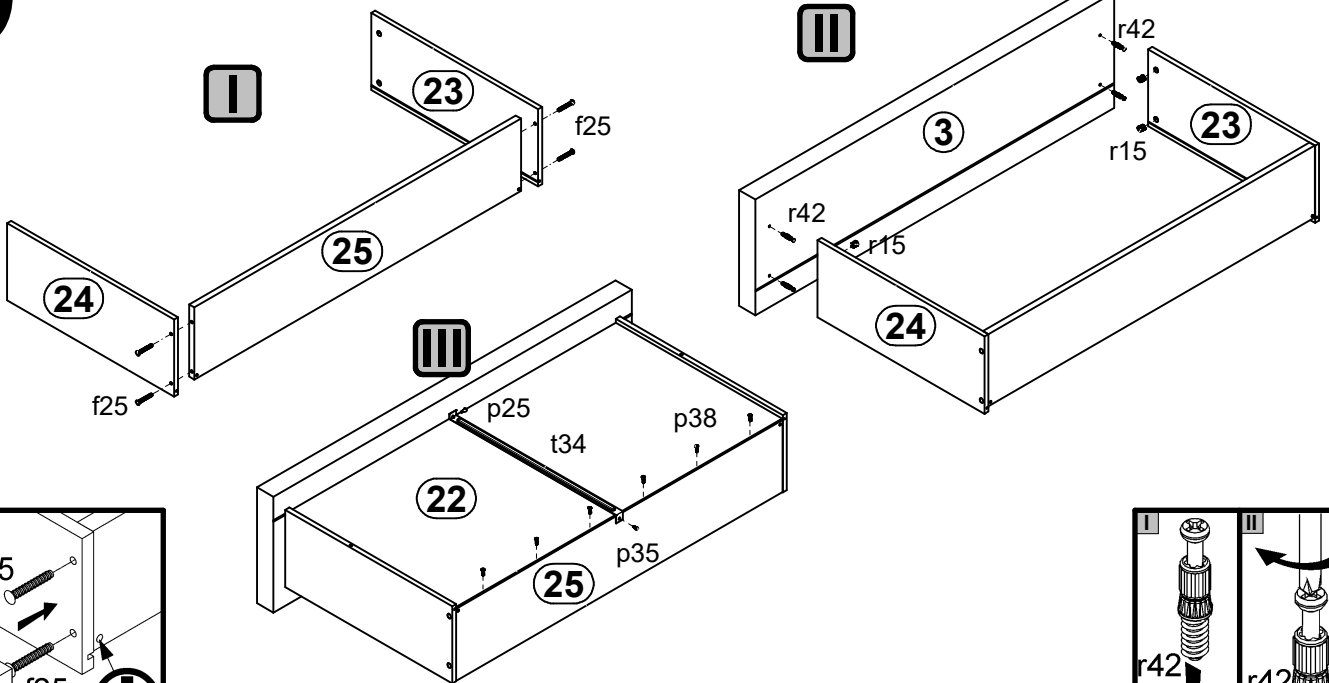
# 7



# 8



# 9



# 10

