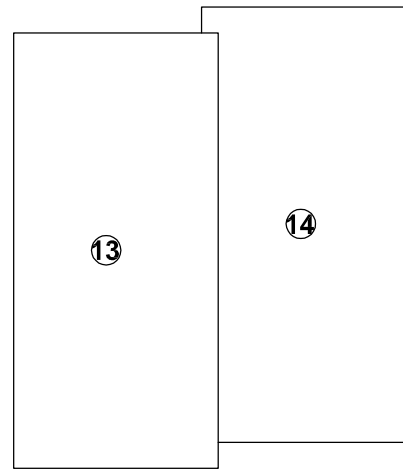
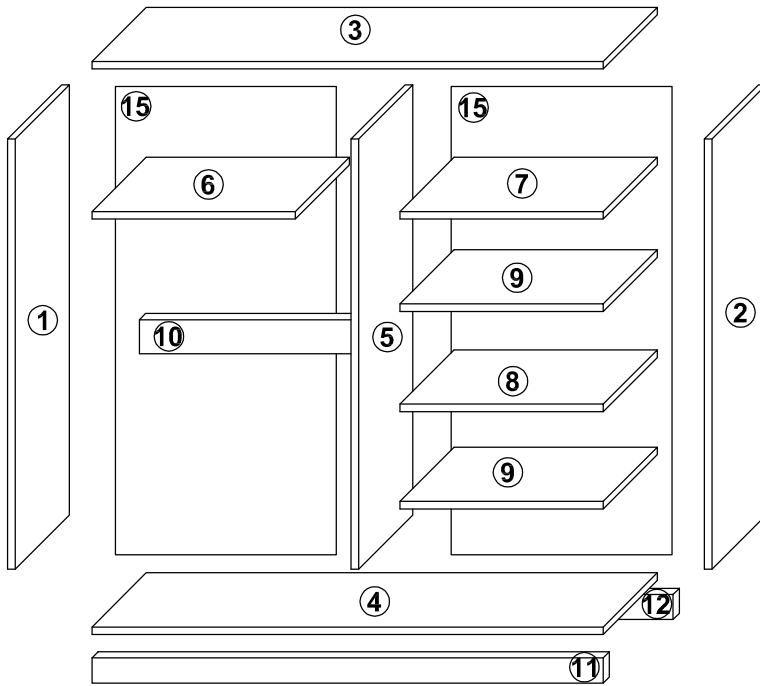
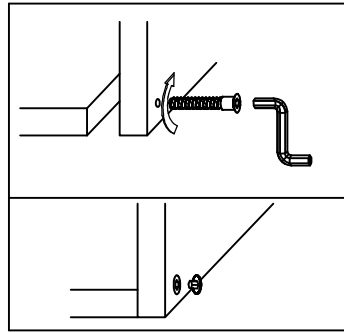
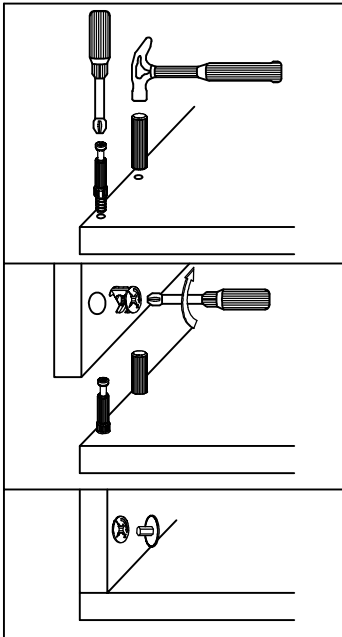
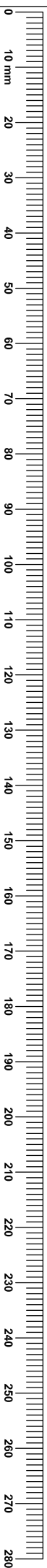
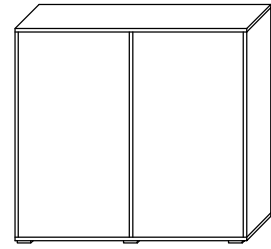
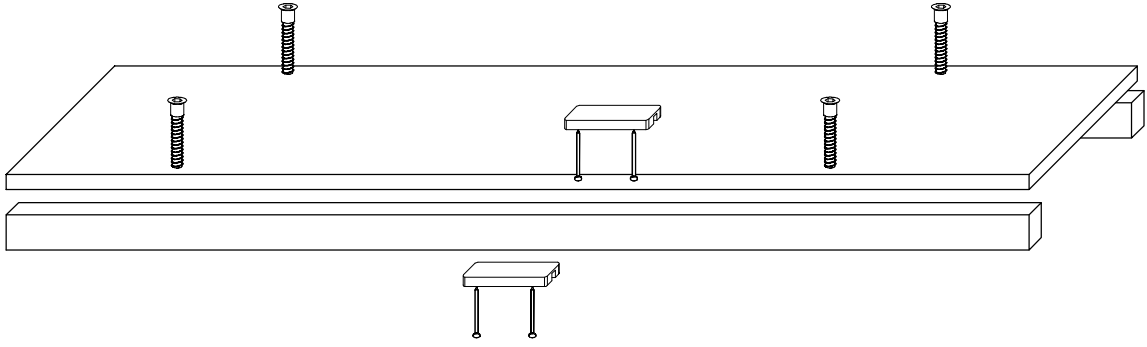


RICK 100, 120, 150

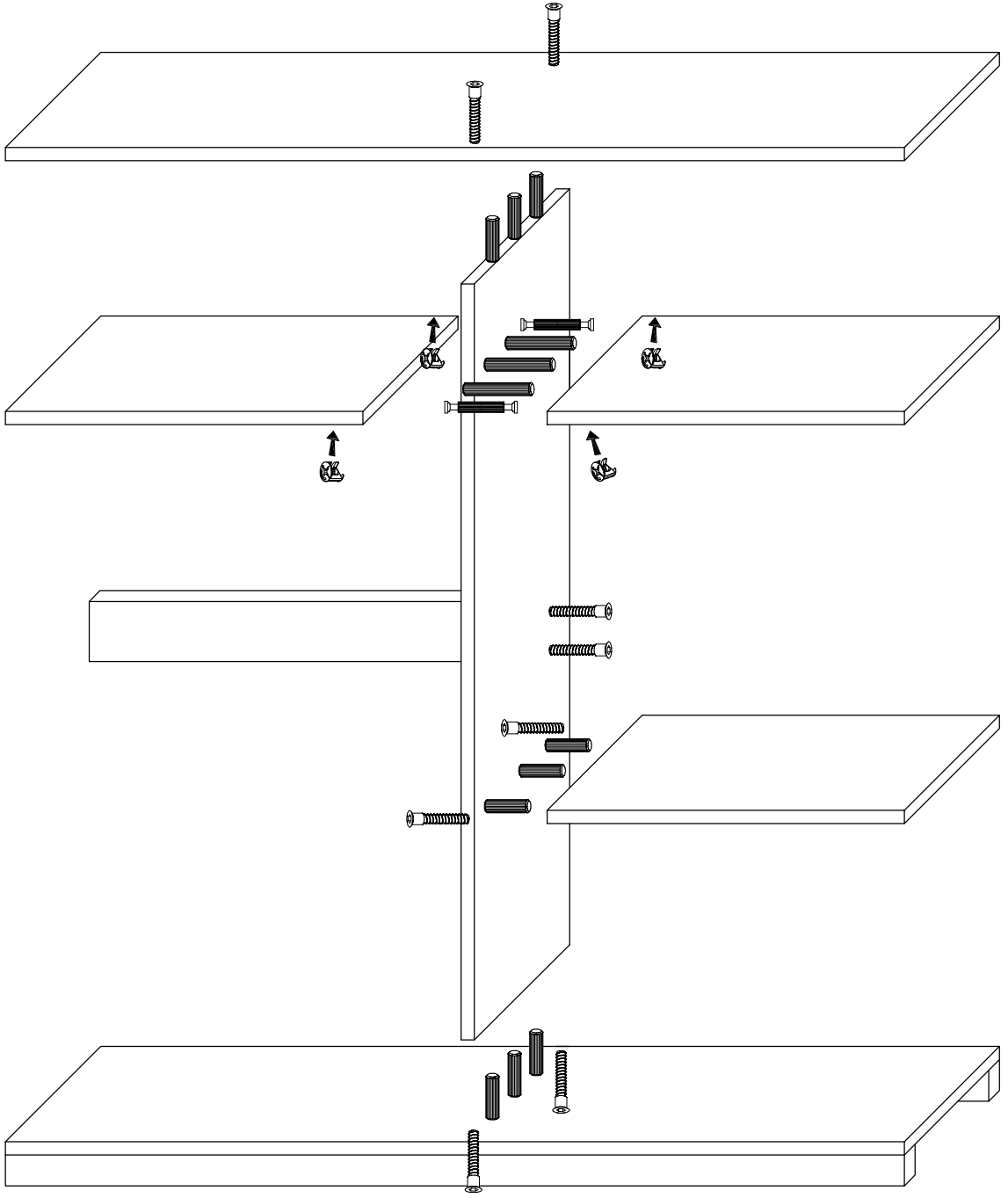


KF50	Z2	KZ	8x30	2	MM	ZM	UD	W4x16
32	32	1	34	2	4	4	2	9
W3x13	PP	SN	SS	8x45	STB	G2	E5x10	DR
5	8	4	2	3	14	12	24	1

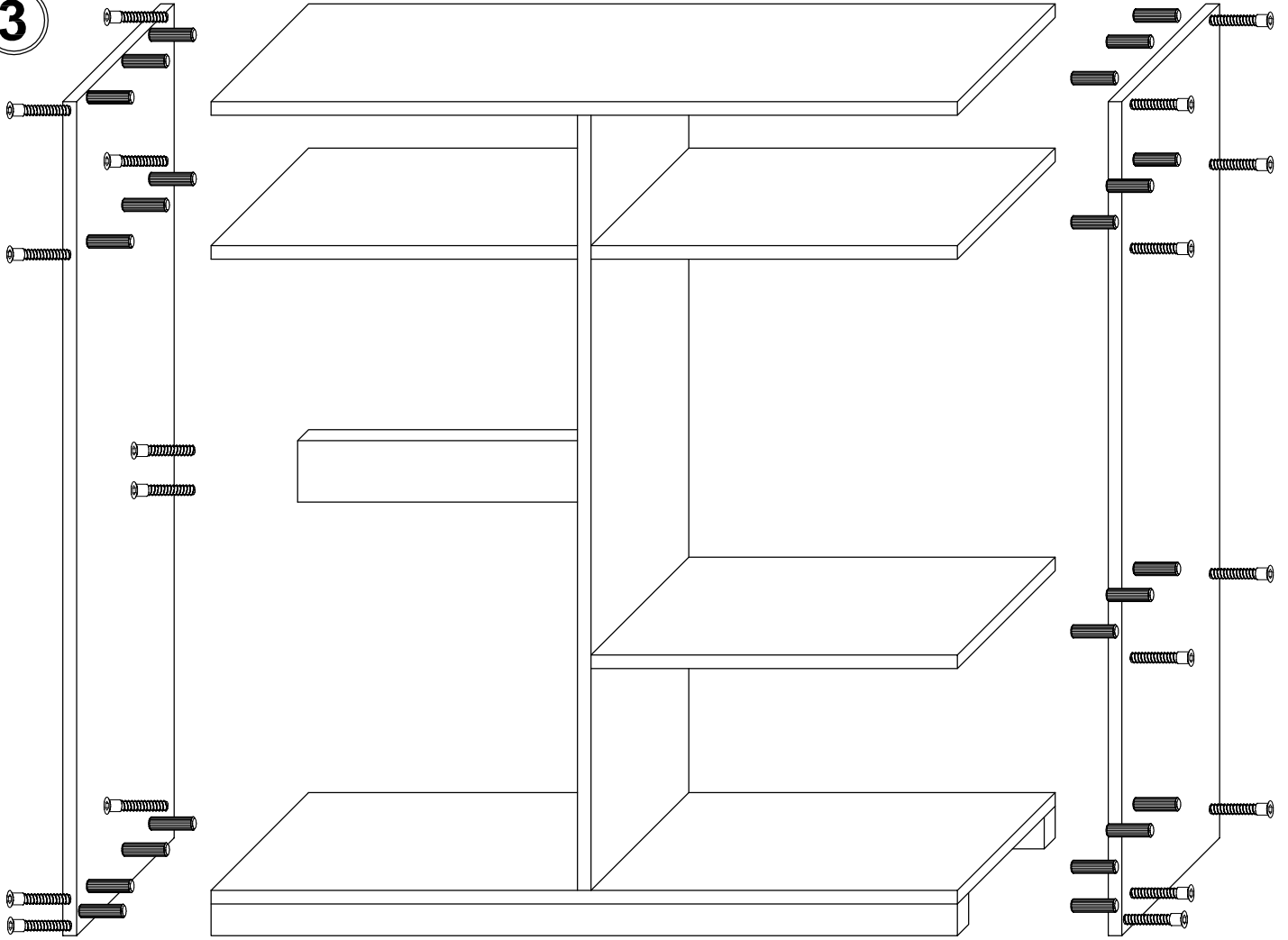
1



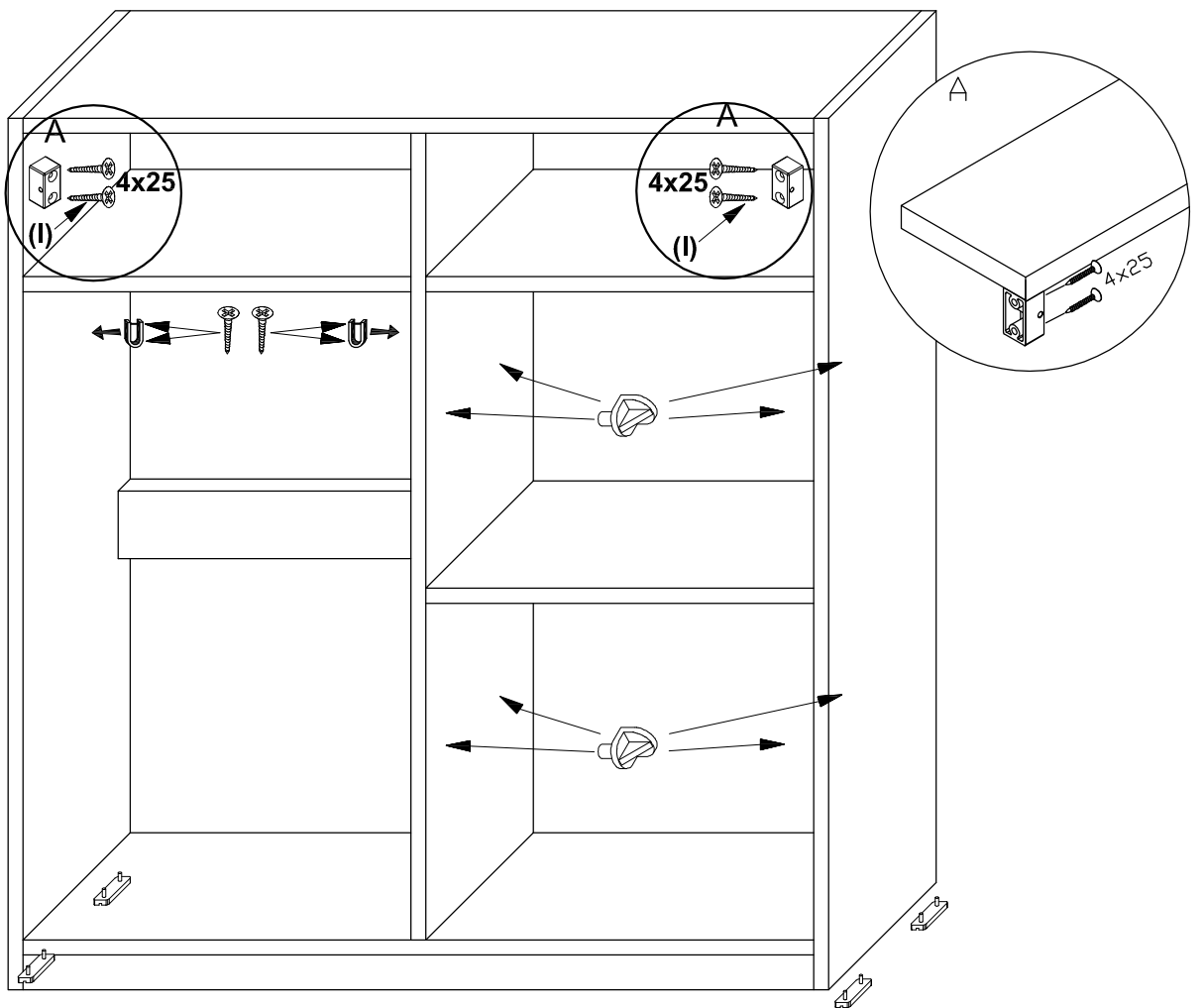
2

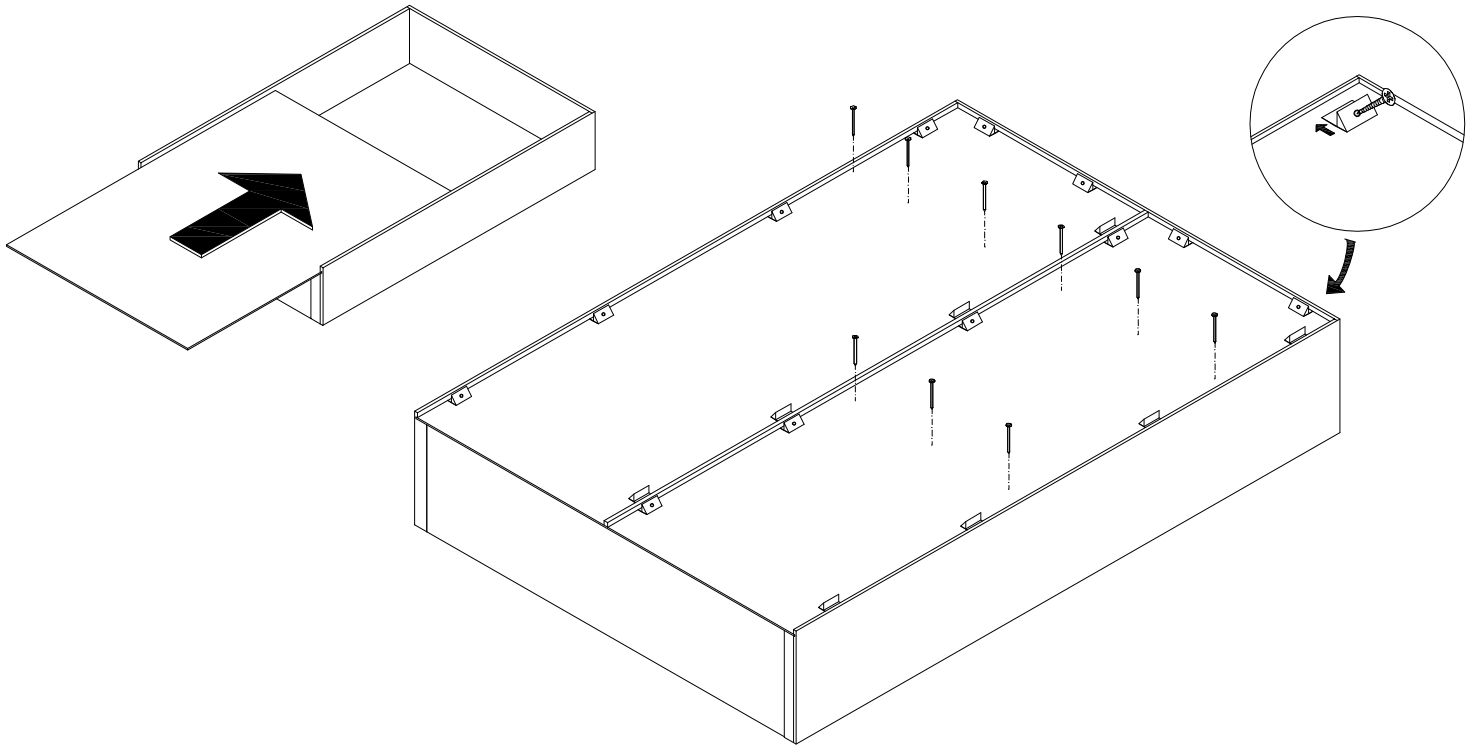


3

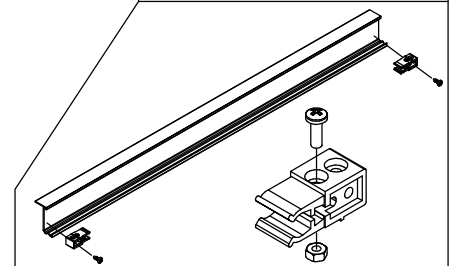
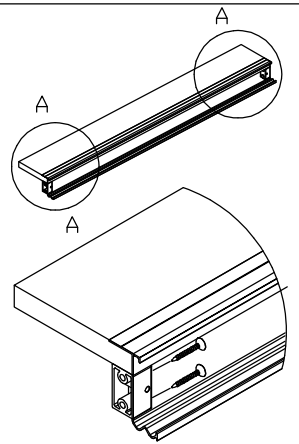
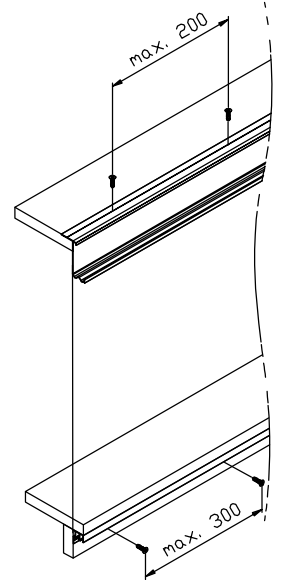
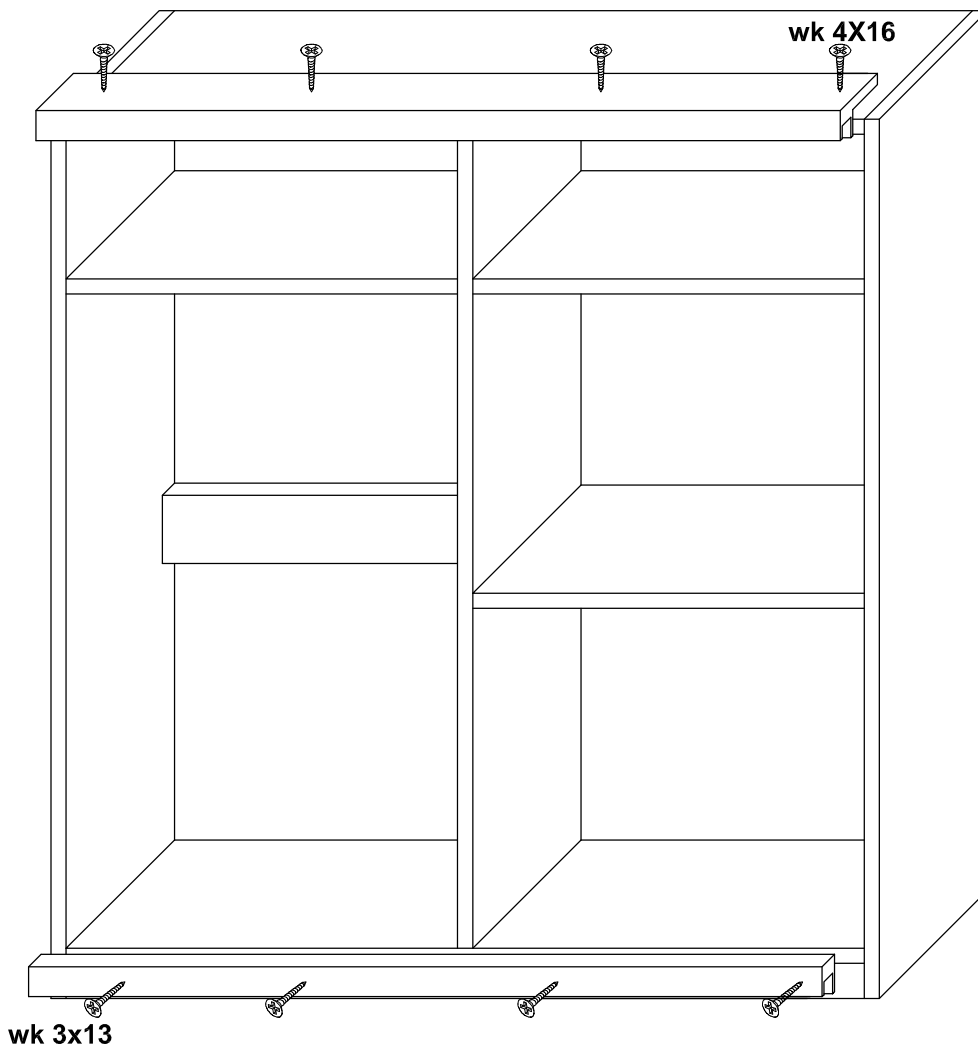


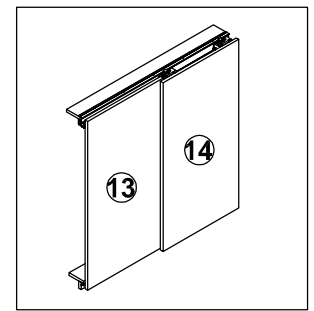
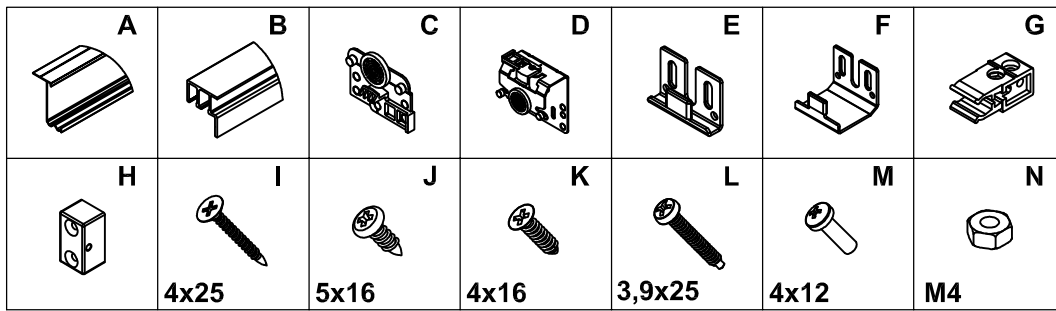
4



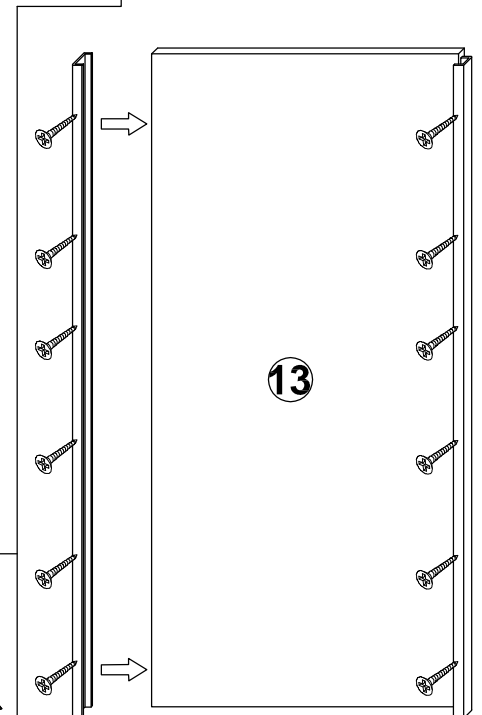
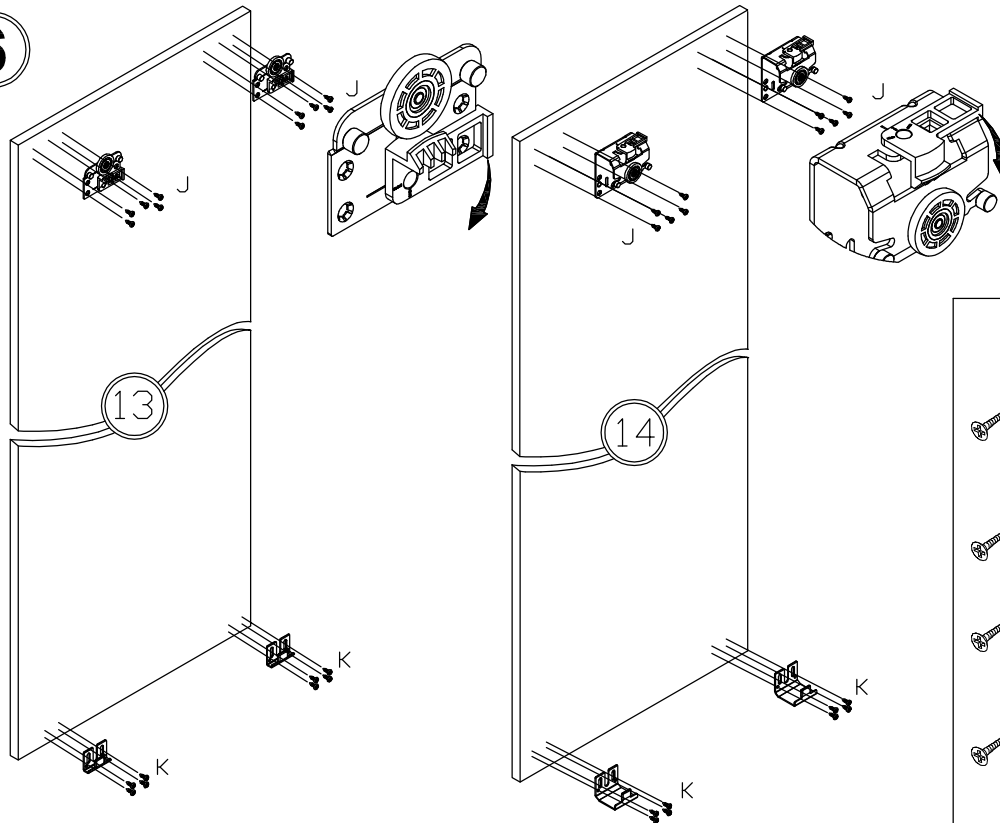


5





6



7

